

NS0-184^{Q&As}

NetApp Certified Storage Installation Engineer, ONTAP

Pass NetApp NS0-184 Exam with 100% Guarantee

Free Download Real Questions & Answers **PDF** and **VCE** file from:

<https://www.pass2lead.com/ns0-184.html>

100% Passing Guarantee
100% Money Back Assurance

Following Questions and Answers are all new published by NetApp
Official Exam Center

- ⚙️ **Instant Download** After Purchase
- ⚙️ **100% Money Back** Guarantee
- ⚙️ **365 Days** Free Update
- ⚙️ **800,000+** Satisfied Customers



QUESTION 1

While testing a recently installed FAS8700 cluster, a node fails. You now need to replace the impaired node.

In this scenario, which two statements are true? (Choose two.)

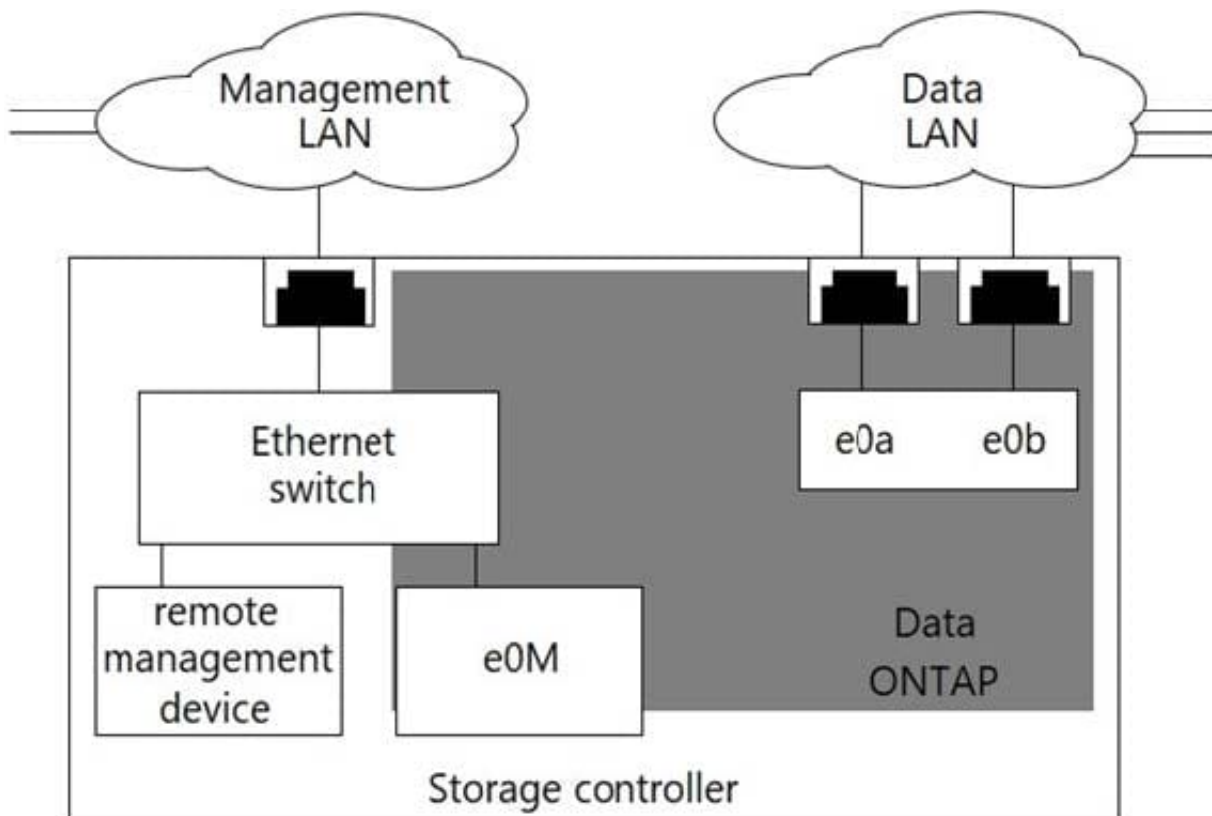
- A. You must move the boot device from the impaired node to the replacement node.
- B. The boot device must remain intact and must not be removed from the impaired node.
- C. You can change any drives or disk shelves as part of this replacement procedure.
- D. A controller model of the same type must be used to replace the impaired node.

Correct Answer: AD

Reference: https://library.netapp.com/ecm/ecm_download_file/ECMP1147156 (2)

QUESTION 2

Click the Exhibit button.



You are installing a new FAS cluster. The management network must be on tagged VLAN 11 for remote administration by a service provider.

Referring to the exhibit, which two ports will allow service provider access to both cluster and node management LIFs?

(Choose two.)

- A. e0M
- B. e0b-11
- C. e0a-11
- D. e0M-11

Correct Answer: AD

QUESTION 3

Click the Exhibit button.

```
Welcome to node setup.
```

```
You can enter the following commands at any time:
```

```
"help" or "?" - if you want to have a question clarified,  
"back" - if you want to change previously answered questions, and  
"exit" or "quit" - if you want to quit the setup wizard.  
Any changes you made before quitting will be saved.
```

```
To accept a default or omit a question, do not enter a value.
```

```
Enter the node management interface port [e0c]:
```

You want to add a FAS2750 HA pair to an existing 6-node cluster.

Referring to the exhibit, which action would you perform to begin adding the node?

- A. Use the back command to begin the Cluster Setup wizard.
- B. Reboot the node and enter maintenance mode and run the Cluster Setup wizard.
- C. Use the node setup wizard and select 0a as the management interface.
- D. Use the exit or quit commands then run the cluster setup command.

Correct Answer: C

Reference: [http://docs.netapp.com/ontap-9/topic/com.netapp.doc.dot-cm-sag/System% 20administration.pdf](http://docs.netapp.com/ontap-9/topic/com.netapp.doc.dot-cm-sag/System%20administration.pdf) (35)

QUESTION 4

You are setting up a new AFF A400 that will serve iSCSI LUNs. You will have four iSCSI SVMs that each need to connect to an Internet Storage Name Service (iSNS) for discovery and management purposes.

In this scenario, which network interface is needed for each SVM to register with the name service?

- A. SVM data LIF
- B. SVM management LIF
- C. node management LIF
- D. intercluster LIF

Correct Answer: D

QUESTION 5

A customer has a current AFF ASA A700 cluster and they want to expand the cluster by adding a second AFF ASA A700 HA pair.

In this scenario, which step would be required to accomplish this task?

- A. Install a BES-53248 cluster switch and convert the AFF ASA A700 from a switchless to switch cluster.
- B. Enable ALUA between the two HA pairs to allow cluster backend traffic.
- C. The customer will need to create a separate cluster for the second AFF ASA A700 pair.
- D. Install a Brocade FC switch and create zoning between the original cluster and the new cluster.

Correct Answer: A

[NS0-184 PDF Dumps](#)

[NS0-184 Study Guide](#)

[NS0-184 Exam Questions](#)