

OMG-OCUP2-INT200^{Q&As}

OMG Certified UML Professional (OCUP 2) - Intermediate Level

**Pass OMG OMG-OCUP2-INT200 Exam with 100%
Guarantee**

Free Download Real Questions & Answers **PDF** and **VCE** file from:

<https://www.pass2lead.com/omg-ocup2-int200.html>

100% Passing Guarantee
100% Money Back Assurance

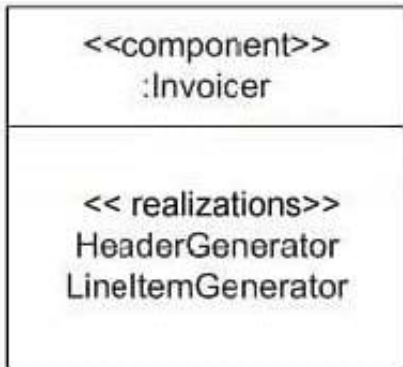
Following Questions and Answers are all new published by OMG
Official Exam Center

-  **Instant Download** After Purchase
-  **100% Money Back** Guarantee
-  **365 Days** Free Update
-  **800,000+** Satisfied Customers



QUESTION 1

What most accurately describes the semantics modeled by the exhibit?



- A. HeaderGenerator and LineItemGenerator are Invoicer ports.
- B. An Invoicer component is composed of HeaderGenerator component and a LineItemGenerator component.
- C. HeaderGenerator and LineItemGenerator realize Invoicer.
- D. Invoicer realizes Header Generator and Line Item Generator

Correct Answer: C

QUESTION 2

For what does an interaction operator define semantics?

- A. a particular message
- B. a particular combined fragment
- C. a particular interaction fragment
- D. a particular interaction

Correct Answer: B

QUESTION 3

What does a region in a state machine represent?

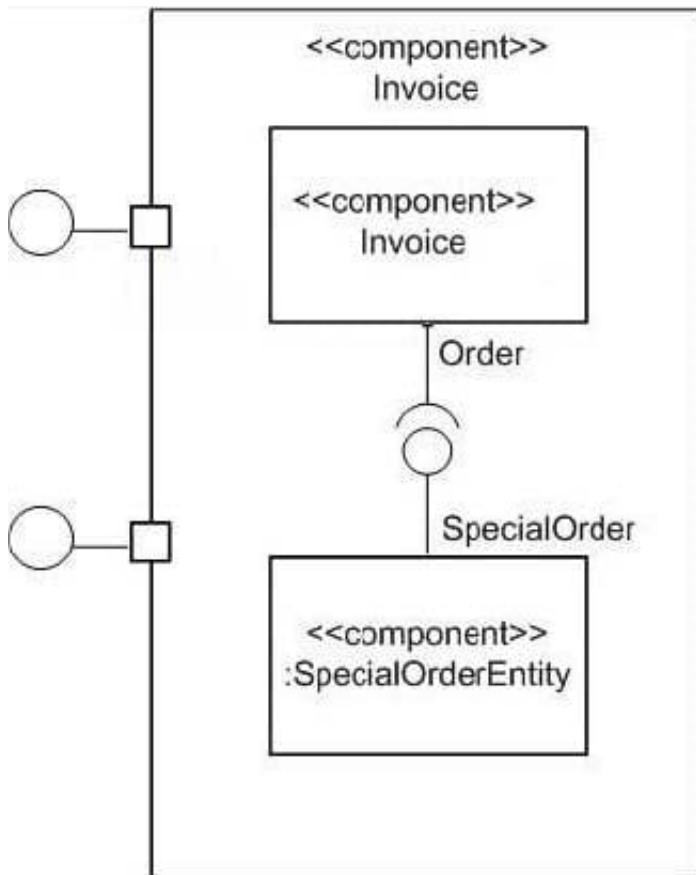
- A. part of a composite state or a state machine containing transitions and vertices
- B. contained state machine
- C. concurrent object owned by the context object of the state machine

- D. separate thread of execution
- E. concurrent state

Correct Answer: A

QUESTION 4

Refer to the exhibit. Invoicer and Special Order Entity are each preceded by a colon symbol, because they name what type of component?



- A. parts of an instance level collaboration
- B. connection types
- C. delegation types
- D. assembly connectors

Correct Answer: A

QUESTION 5

What is permitted for the profile mechanism?

- A. creates new metamodels
- B. removes existing metamodels
- C. extends existing metamodels
- D. changes existing metamodels

Correct Answer: C

[OMG-OCUP2-INT200 PDF Dumps](#)

[OMG-OCUP2-INT200 VCE Dumps](#)

[OMG-OCUP2-INT200 Braindumps](#)