

WORKKEYS^{Q&As}

WorkKeys Assessment Test

Pass ACT WORKKEYS Exam with 100% Guarantee

Free Download Real Questions & Answers **PDF** and **VCE** file from:

<https://www.pass2lead.com/workkeys.html>

100% Passing Guarantee
100% Money Back Assurance

Following Questions and Answers are all new published by ACT Official Exam Center

-  **Instant Download** After Purchase
-  **100% Money Back** Guarantee
-  **365 Days** Free Update
-  **800,000+** Satisfied Customers



QUESTION 1

Melinda worked the following hours during one week. She is paid \$8.50 per hour for the first 40 hours of work. After 40 hours, she receives 1 ½ times her regular hourly rate. How much money did Melinda earn this week?

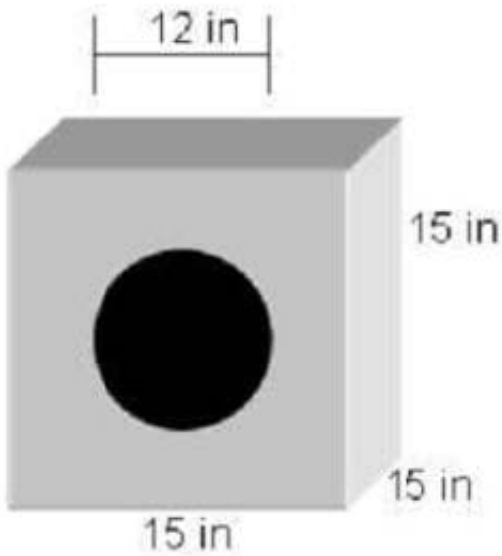
Day	Hours Worked
Monday	6.5
Tuesday	9.0
Wednesday	10.25
Thursday	12.5
Friday	8.25

- A. \$340.00
- B. \$395.25
- C. \$422.88
- D. \$592.88
- E. \$601.32

Correct Answer: C

QUESTION 2

A company is manufacturing the special-ordered part pictured. The company charges by the number of cubic inches of volume contained within the nut. In order to determine a fair price, you must know the volume of the part. Find the volume to the nearest whole number. (Note: The part is a cube with a cylinder deleted from its center.)



- A. 840 cubic inches
- B. 848 cubic inches
- C. 1679 cubic inches
- D. 1696 cubic inches
- E. 3375 cubic inches

Correct Answer: C

QUESTION 3

The sophomore class needs 500 cups for a dance. They have 120 cups. Paper cups come in packages of 20. How many packages should they buy?

- A. 9 boxes
- B. 19 boxes
- C. 38 boxes
- D. 120 boxes
- E. 380 boxes

Correct Answer: B

QUESTION 4

You ordered new uniforms for work costing \$56.45 altogether. The sales tax rate is 6%. The uniforms were delivered this morning and you have \$65.00 in your wallet. After paying for your uniforms, how much money will you have left for lunch?

- A. \$3.26
- B. \$5.16
- C. \$7.61
- D. \$8.49
- E. \$8.55

Correct Answer: B

QUESTION 5

Your sister's birthday is coming up and you are going to mail her birthday present. The box has the following dimensions: length = 50 inches; width = 23 inches; height = 36 inches. You must allow an additional 5% for overlapping. Approximately how much wrapping paper will you need to wrap the present?

- A. 42 ft²
- B. 45 ft²
- C. 50 ft²
- D. 55 ft²
- E. 62 ft²

- A. Option A
- B. Option B
- C. Option C
- D. Option D
- E. Option E

Correct Answer: D