

300-620^{Q&As}

Implementing Cisco Application Centric Infrastructure (DCACI)

Pass Cisco 300-620 Exam with 100% Guarantee

Free Download Real Questions & Answers **PDF** and **VCE** file from:

<https://www.pass2lead.com/300-620.html>

100% Passing Guarantee
100% Money Back Assurance

Following Questions and Answers are all new published by Cisco
Official Exam Center

-  **Instant Download** After Purchase
-  **100% Money Back** Guarantee
-  **365 Days** Free Update
-  **800,000+** Satisfied Customers



QUESTION 1

Regarding the MTU value of MP-BGP EVPN control plane packets in Cisco ACI, which statement about communication between spine nodes in different sites is true?

- A. By default, spine nodes generate 9000-bytes packets to exchange endpoints routing information. As a result, the Inter-Site network should be able to carry 9000-bytes packets.
- B. By default, spine nodes generate 1500-bytes packets to exchange endpoints routing information. As a result, the Inter-Site network should be able to carry 1800-bytes packets.
- C. By default, spine nodes generate 1500-bytes packets to exchange endpoints routing information. As a result, the Inter-Site network should be able to carry 1500-bytes packets.
- D. By default, spine nodes generate 9000-bytes packets to exchange endpoints routing information. As a result, the Inter-Site network should be able to carry 9100-bytes packets.

Correct Answer: D

Maximum transmission unit (MTU) of Multiprotocol Border Gateway Protocol (MP-BGP) Ethernet Virtual Private Network (EVPN) control plane communication between spine nodes in different sites - By default, the spine nodes generate 9000-byte packets to exchange endpoint routing information. If that default value is not modified, the Inter Site Network (ISN) must support an MTU size of at least 9100 bytes. In order to tune the default value, modify the corresponding system settings in each APIC domain.

QUESTION 2

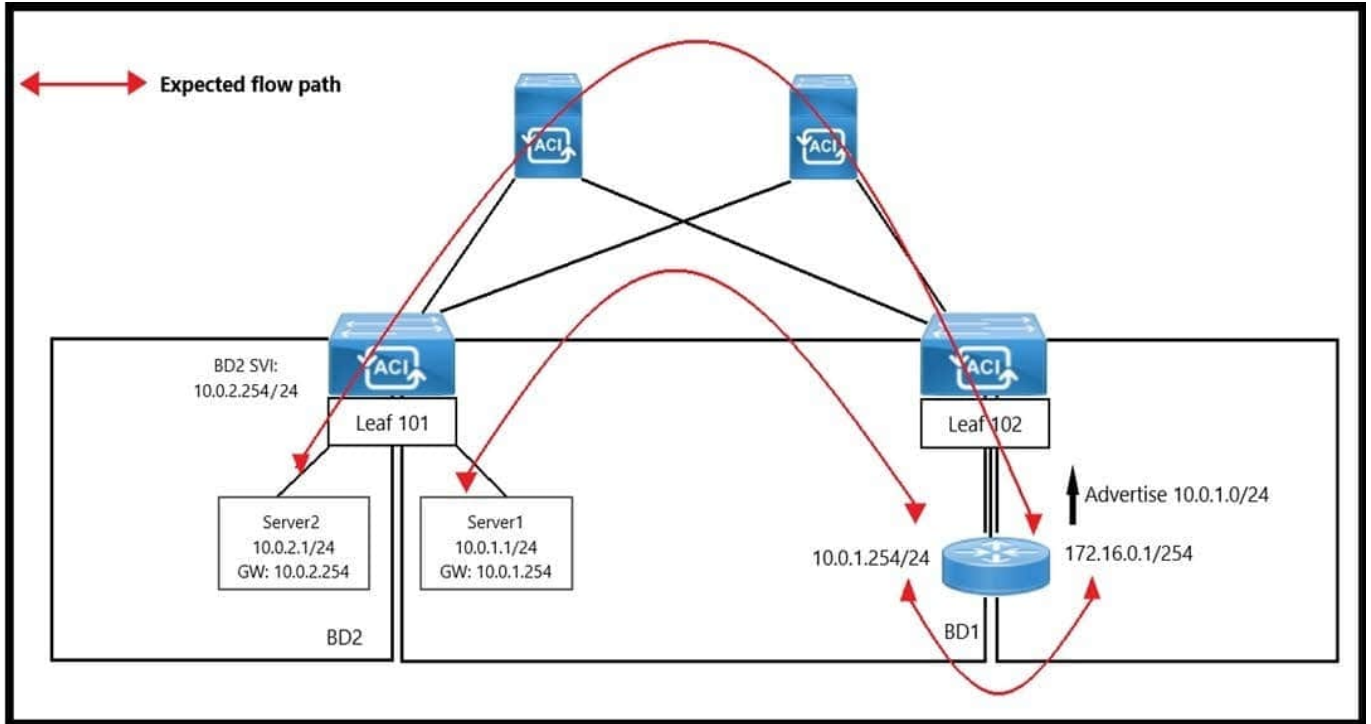
All workloads in VLAN 1001 have been migrated into EPG-1001. The requirement is to move the gateway address for VLAN 1001 from the core outside the Cisco ACI fabric into the Cisco ACI fabric. The endpoints in EPG-1001 must route traffic to endpoints in other EPGs and minimize flooded traffic in the fabric. Which configuration set is needed on the bridge domain to meet these requirements?

- A. Enable Flood Enable Unicast Routing
- B. Disable Local IP Learning Limit Disable Unicast Routing
- C. Disable ARP Flood Disable Limit Endpoint Learning
- D. Enable Hardware Proxy Enable Unicast Routing

Correct Answer: D

QUESTION 3

Refer to the exhibit.



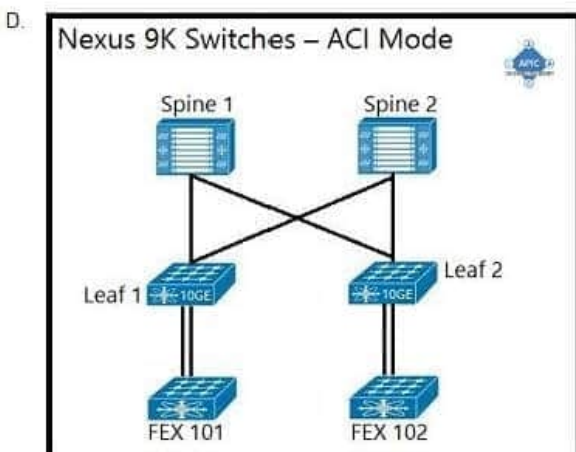
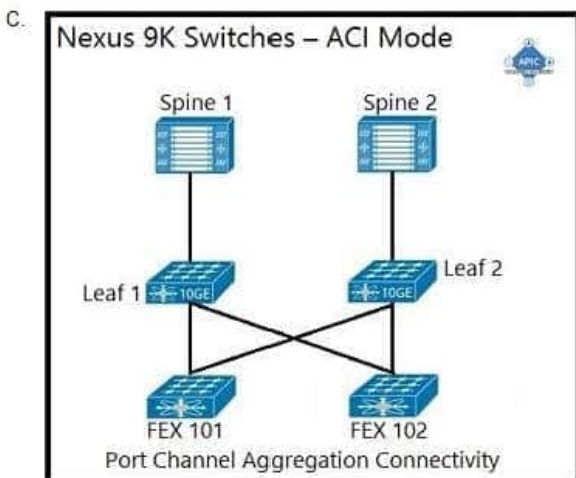
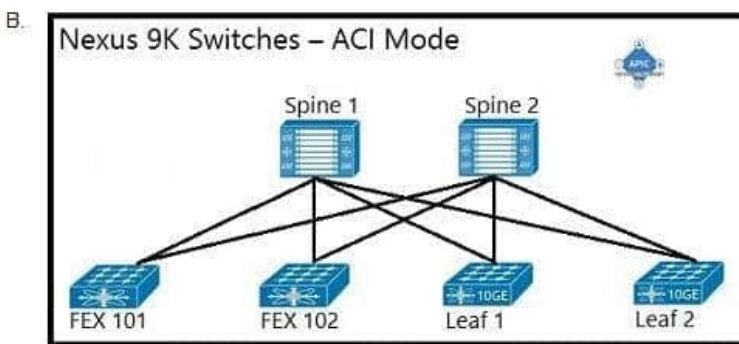
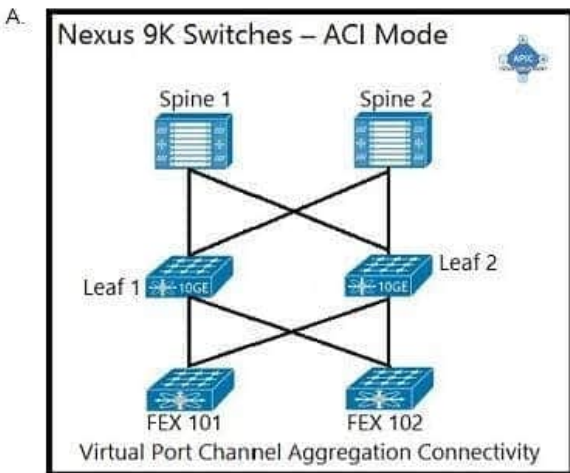
An engineer wants to initiate an ICMP ping from Server1 to Server2. The requirement is for the BD1 to enforce ICMP replies that follow the expected path. The packets must be prevented from taking the direct path from Leaf1 to Server1. Which action must be taken on BD1 to meet these requirements?

- A. Set L2 Unknown Unicast to Flood.
- B. Set L2 Unknown Unicast to Hardware Proxy.
- C. Disable Unicast Routing.
- D. Enable ARP Flooding.

Correct Answer: C

QUESTION 4

An engineer is implementing a Cisco ACI data center network that includes Cisco Nexus 2000 Series 10G fabric extenders. Which physical topology is supported?



- A. Option A
- B. Option B
- C. Option C
- D. Option D

Correct Answer: D

FEX (N2K Switchs) must be connected to one parent switch (N9K) .

QUESTION 5

Which components must be configured for the BGP Route Reflector policy to take effect?

- A. spine fabric interface overrides and profiles
- B. access policies and profiles
- C. pod policy groups and profiles
- D. leaf fabric interface overrides and profiles

Correct Answer: C

<https://www.cisco.com/c/dam/en/us/solutions/collateral/data-center-virtualization/application-centric-infrastructure/aci-guide-configuring-fabric-bgp-route-reflectors.pdf>

QUESTION 6

An engineer must configure a service graph for the policy-based redirect to redirect traffic to a transparent firewall. The policy must be vendor-agnostic to support any firewall appliance. Which two actions accomplish these goals? (Choose two.)

- A. Set Context Aware to Single.
- B. Set the Service Type to Other.
- C. Set Promiscuous Mode to True.
- D. Set Function Type to L2.
- E. Set Managed to True.

Correct Answer: BD

QUESTION 7

Refer to the exhibit.

Add VMM Domain Association

VMM Domain Profile: dc1vcdev

Deploy Immediacy: Immediate On Demand

Resolution Immediacy: Immediate On Demand Pre-provision

Delimiter:

Enhanced Lag Policy: select an option

Allow Micro-Segmentation:

Untagged VLAN Access:

VLAN Mode: Dynamic Static

Port Binding: Dynamic Binding Ephemeral Default Static Binding

Netflow: Disable Enable

Allow Promiscuous: Reject

Forged Transmits: Reject

MAC Changes: Reject

Active Uplinks Order:
Enter IDs of uplinks separated by comma

Standby Uplinks:
Enter IDs of uplinks separated by comma

Custom EPG Name:

Cancel Submit

The EPG-100 must be extended to the vCenter as a port group with a tagged VLAN ID of 100. Which set of actions accomplishes this goal?

- A. 1. Define a static VLAN range (from 100-200) under a VLAN pool that is associated with the dc1vcdev domain.
- 2. Associate the dc1vcdev domain with EPG and select these settings:

Untagged VLAN Access: unselected

VLAN Mode: Static with Encap: 100

- B. 1. Define a static VLAN range (from 100-200) under a VLAN pool that is associated with the dc1vcdev domain.

2. Associate the dc2vcdev domain with EPG and select these settings:

Untagged VLAN Access: selected

VLAN Mode: Static with Encap: 100

C. 1. Define a dynamic VLAN range (from 100-200) under a VLAN pool that is associated with the del vdev domain.

2. Associate the dc1vcdev domain with EPG and select these settings:

Untagged VLAN Access: unselected

VLAN Mode: Static with Encap: 100

D. 1. Define a dynamic VLAN range (from 100-200) under a VLAN pool that is associated with the dc1vdev domain.

2. Associate the dc2vcdev domain with EPG and select these settings:

Untagged VLAN Access: selected

VLAN Mode: Static with Encap: 100

Correct Answer: A

QUESTION 8

A network engineer configures the Cisco ACI fabric to connect to vCenter with these requirements:

1.

Port groups must be automatically created on the distributed virtual switch.

2.

Port groups must use the VLAN allocation in the range between 20-30.

3.

The deployment must optimize the CAM space on the leaf switches.

Which set of actions meets these criteria?

A. Create a dynamic VLAN pool with the VLAN range of 20-30. Create a VMM domain and associate it with the VLAN pool. Create the EPG and associate the domain. Set the deployment immediacy to On Demand.

B. Create a dynamic VLAN pool with the VLAN range of 20-30. Create a physical domain and associate it with the VLAN pool. Create the EPG and associate the domain. Set the deployment immediacy to On Demand.

C. Create a static VLAN pool with the VLAN range of 20-30. Create a physical domain and associate it with the VLAN pool. Create the EPG and associate the domain. Set the deployment immediacy to Immediate.

D. Create a static VLAN pool with the VLAN range of 20-30. Create a VMM domain and associate it with the VLAN pool. Create the EPG and associate the domain. Set the deployment immediacy to Immediate.

Correct Answer: A

<https://community.cisco.com/t5/data-center-and-cloud-knowledge-base/apic-policy-deployment-and-resolution-immediacy-for-avs-vmm/ta-p/3134812>

QUESTION 9

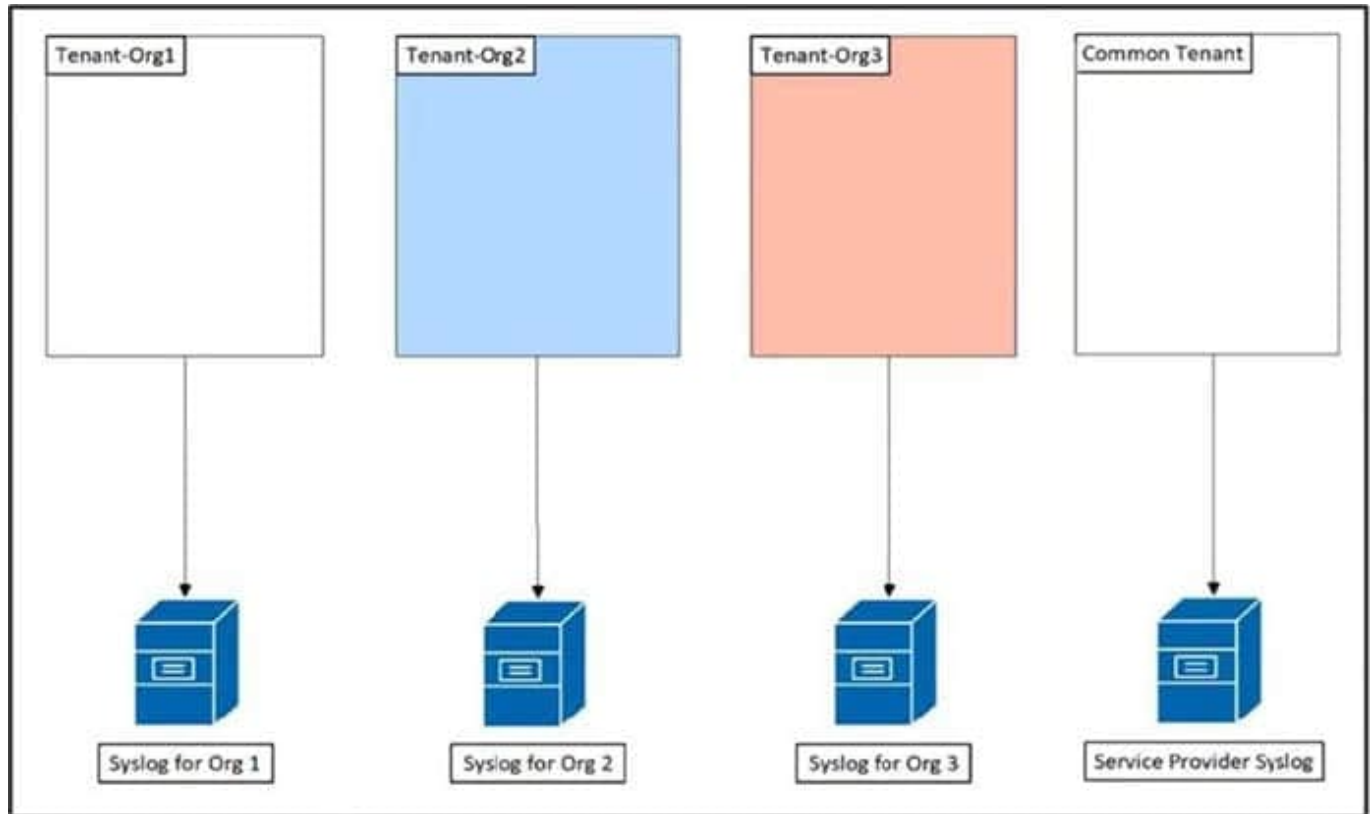
An engineer must securely export Cisco APIC configuration snapshots to a secure, offsite location. The exported configuration must be transferred using an encrypted tunnel and encoded with a platform-agnostic data format that provides namespace support. Which configuration set must be used?

- A. Policy: Export Policy Protocol: TLS Format: JSON
- B. Policy: Import Policy Protocol: TLS Format: XML
- C. Policy: Import Policy Protocol: SCP Format: JSON
- D. Policy: Export Policy Protocol: SCP Format: XML

Correct Answer: D

QUESTION 10

Refer to the exhibit.



A service provider hosts applications for multiple organizations. Each organization owns a separate tenant and syslog

server. The events from each tenant must be sent to the corresponding syslog server. Which action accomplishes this goal?

- A. Configure a single shared external syslog server and apply it to all of the user tenants.
- B. Configure a single shared external syslog server and apply it to the common tenant.
- C. Configure an external syslog server for each tenant and apply each of them to the related tenant.
- D. Configure an external syslog server for each tenant and apply all of them to the common tenant.

Correct Answer: C

QUESTION 11

A RADIUS user resolves its role via the Cisco AV Pair. What object does the Cisco AV Pair resolve to?

- A. tenant
- B. security domain
- C. primary Cisco APIC
- D. managed object class

Correct Answer: D

managed object class is an object ; security domain is a tag

QUESTION 12

Which endpoint learning operation is completed on the ingress leaf switch when traffic is received from a Layer 3 Out?

- A. The source MAC address of the traffic is learned as a local endpoint.
- B. The source MAC address of the traffic is learned as a remote endpoint.
- C. The source IP address of the traffic is learned as a remote endpoint.
- D. The source IP address of the traffic is learned as a local endpoint.

Correct Answer: A

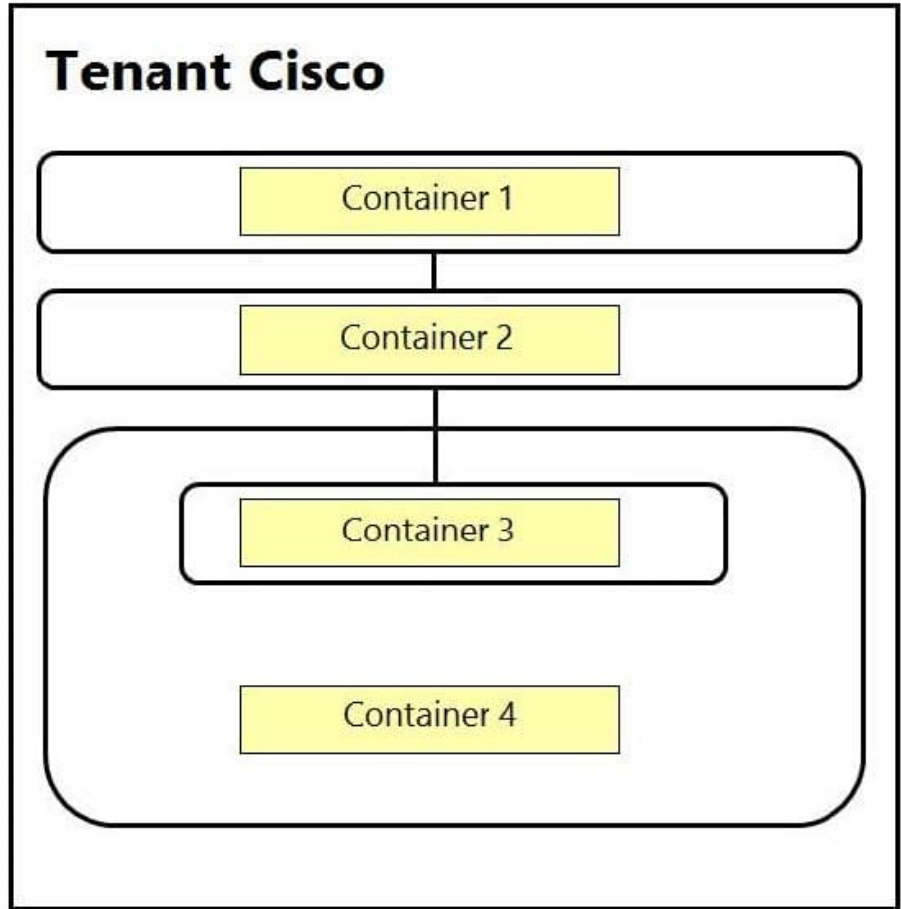
QUESTION 13

DRAG DROP

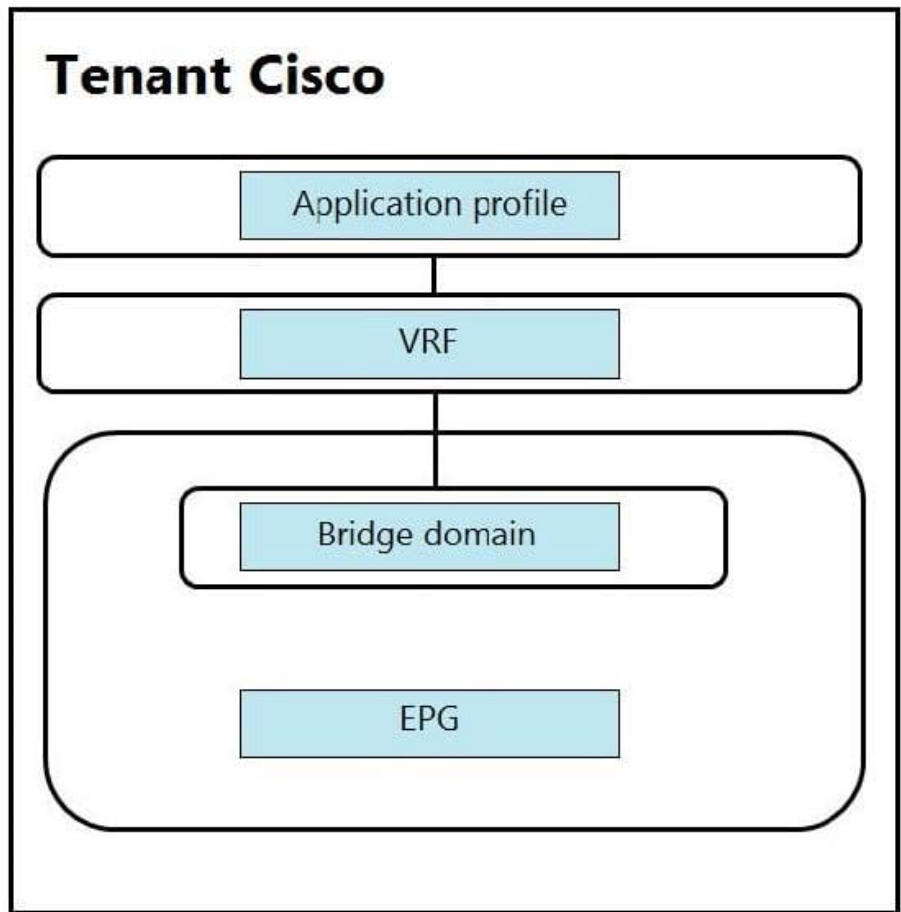
An engineer is configuring a VRF for a tenant named Cisco. Drag and drop the child objects on the left onto the correct containers on the right for this configuration.

Select and Place:

- Application profile
- Bridge domain
- EPG
- VRF



Correct Answer:



QUESTION 14

Which feature dynamically assigns or modifies the EPG association of virtual machines based on their attributes?

- A. vzAny contracts
- B. standard contracts
- C. application EPGs
- D. uSeg EPGs

Correct Answer: D

Microsegmented EPGs (uSeg) works based on attribute.

QUESTION 15

Refer to the exhibit.

Create L3Out

1. Identity | **2. Nodes And Interfaces** | 3. Protocols | 4. External EPG

Nodes and Interfaces

The L3Out configuration consists of node profiles and interface profiles. An L3Out can span across multiple nodes in the fabric. All nodes used by the L3Out can be included in a single node profile and is required for nodes that are part of a VPC pair. Interface profiles can include multiple interfaces. When configuring dual stack interfaces a separate interface profile is required for the IPv4 and IPv6 configuration, that is automatically taken care of by this wizard.

Use Defaults:

Interface Types

Layer 3: **Routed** | Routed Sub | SVI | Floating SVI

Layer 2: **Port** | Direct Port Channel

Nodes

Node ID: F1P1L1 (Node - 1001) | Router ID: 10.1.7.1 | Loopback Address: 10.1.1.1

Interface: Select a port | IP Address: | MTU (bytes): inherit

Previous | Cancel | Next

An engineer must configure an L3Out peering with the backbone network. The L3Out must forward unicast and multicast traffic over the link. Which two methods should be used to configure L3Out to meet these requirements? (Choose two.)

- A. Layer 3 routed port
- B. VPC with SVI
- C. port channel with SVI
- D. Layer 3 routed subinterface
- E. Layer 3 floating SVI

Correct Answer: AD

[300-620 PDF Dumps](#)

[300-620 VCE Dumps](#)

[300-620 Exam Questions](#)