

# 300-630<sup>Q&As</sup>

Implementing Cisco Application Centric Infrastructure - Advanced  
(DCACIA)

## Pass Cisco 300-630 Exam with 100% Guarantee

Free Download Real Questions & Answers **PDF** and **VCE** file from:

<https://www.pass2lead.com/300-630.html>

100% Passing Guarantee  
100% Money Back Assurance

Following Questions and Answers are all new published by Cisco  
Official Exam Center

- ⚙️ **Instant Download** After Purchase
- ⚙️ **100% Money Back** Guarantee
- ⚙️ **365 Days** Free Update
- ⚙️ **800,000+** Satisfied Customers



**QUESTION 1**

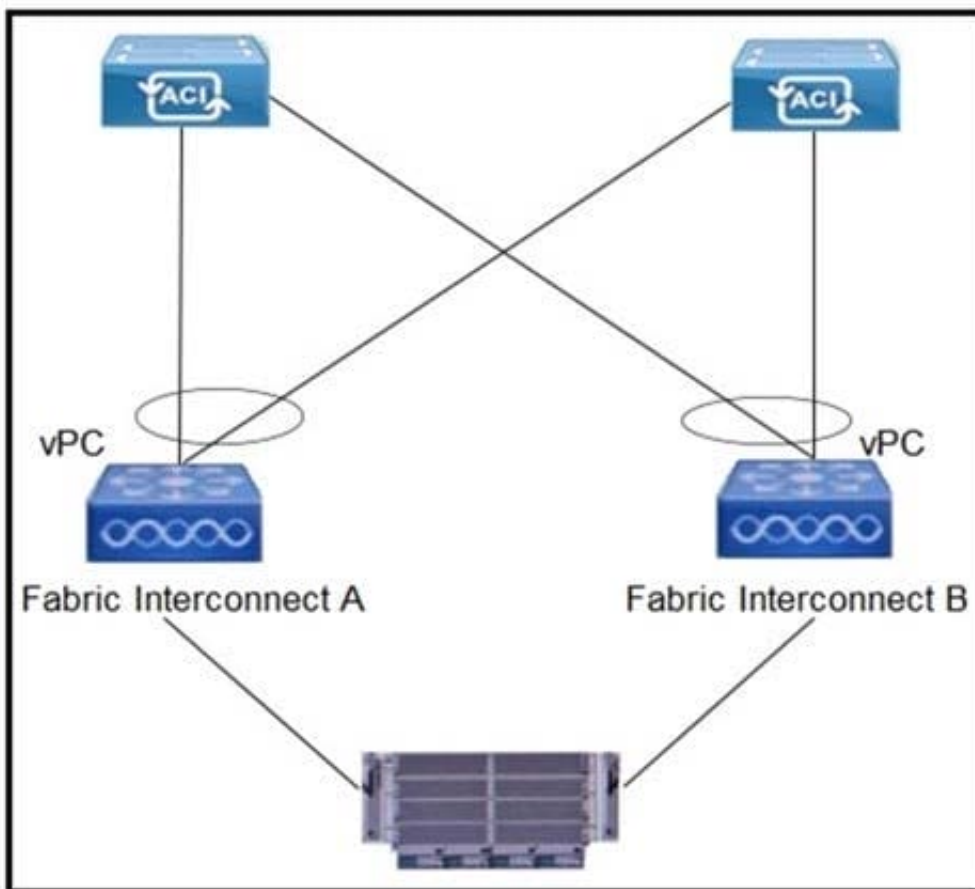
Which action must be taken to connect two nonsilent servers in active/standby mode to two ACI leaves?

- A. Implement a virtual PortChannel on ACI leaves
- B. Enable ARP flooding for the bridge domain if the MAC address of the active interface changes after NIC failover
- C. Configure ARP flooding for the bridge domain if the MAC address of the active interface stays identical after a NIC failover
- D. Disable dataplane learning to avoid endpoint flapping

Correct Answer: C

Reference: <https://www.cisco.com/c/en/us/td/docs/dcn/whitepapers/cisco-application-centric-infrastructure-design-guide.html>

**QUESTION 2**



Refer to the exhibit. Which configuration mode must be selected for the VMM vSwitch Port Channel policy to avoid MAC flapping on the Cisco UCS FIs and Cisco ACI leaf switches?

- A. LACP Passive
- B. MAC Pinning
- C. LACP Active
- D. Static Channel ?Mode On

Correct Answer: B

---

### QUESTION 3

An engineer deployed a Cisco ACI fabric and noticed that the fabric learns endpoints from subnets that are not configured on a bridge domain. To meet strict security requirements, the engineer must prevent this behavior. Which action must be taken to prevent this behavior?

- A. Activate Enable Data Plane Endpoint Learning
- B. Implement Pervasive Gateway
- C. Configure Static Binding
- D. Enable Enforce Subnet Check

Correct Answer: D

---

### QUESTION 4

What are two characteristics of network-centric design in Cisco ACI? (Choose two.)

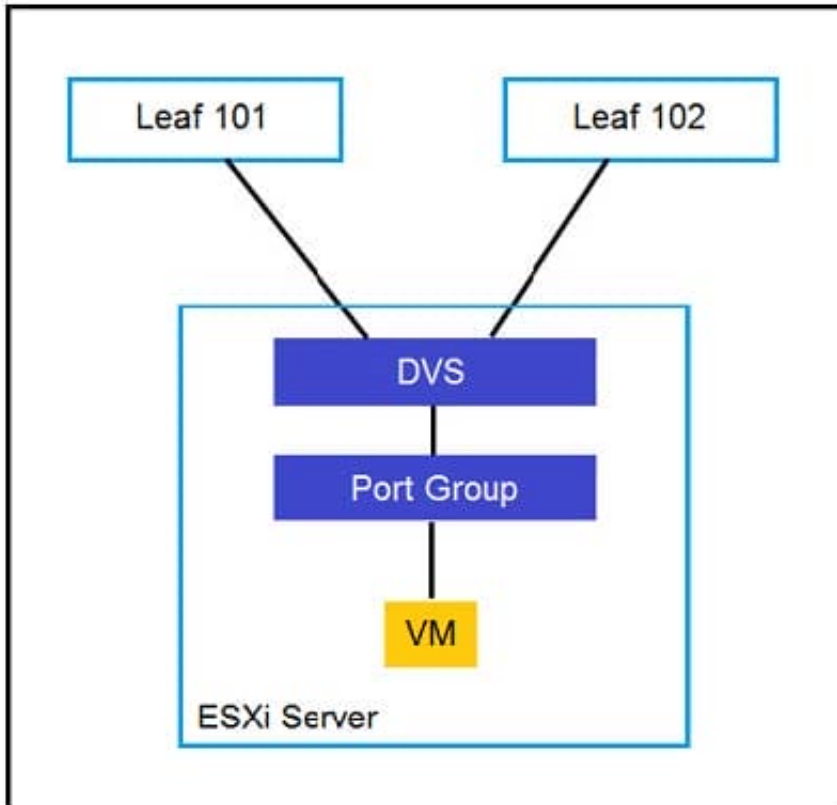
- A. There is open communication between EPGs
- B. EPGs are used for microsegmentation
- C. EPGs are different security zones
- D. Applications define the network requirements
- E. A bridge domain has one subnet and one EPG

Correct Answer: BE

---

### QUESTION 5

Refer to the exhibit.



An engineer is configuring a vSwitch policy in the existing Cisco ACI fabric. The requirement is for the Cisco ACI leaf to learn individual MAC addresses from the same physical port. Which vSwitch policy configuration mode must be enabled to meet this requirement?

- A. MAC pinning
- B. MAC binding
- C. LACP passive
- D. LACP active

Correct Answer: A

#### QUESTION 6

What is a use of the Overlay Multicast TEP in Cisco ACI Multi-Site communication?

- A. to perform headend replication
- B. to act as the source IP for BUM traffic
- C. to establish MP-BGP adjacencies with remote spines
- D. to send and receive unicast VXLAN data plane traffic

Correct Answer: B

Reference: <https://www.cisco.com/c/en/us/solutions/collateral/data-center-virtualization/application-centric-infrastructure/white-paper-c11-739609.html#CiscoACIMultiSiteoverlaydataplane>

---

#### QUESTION 7

An engineer is implementing the Cisco ACI fabric but is experiencing loops detected from endpoints. When the issue was investigated, it was discovered that the packets are received with the same source IP address but from different leaf switch ports. The engineer must prevent the issue from happening in the future and make sure that the port is brought back up if it was disabled due to the loop discovered. Which set of actions must be taken to meet these requirements?

- A. Enable the enforce endpoint check and set the Rouge EP detection interval
- B. Enable the rogue endpoint and set the Error Disabled Recovery Policy
- C. Enable the remote endpoint limit and set the Interface override
- D. Enable reverse path forwarding and set the Hold Interval

Correct Answer: B

---

#### QUESTION 8

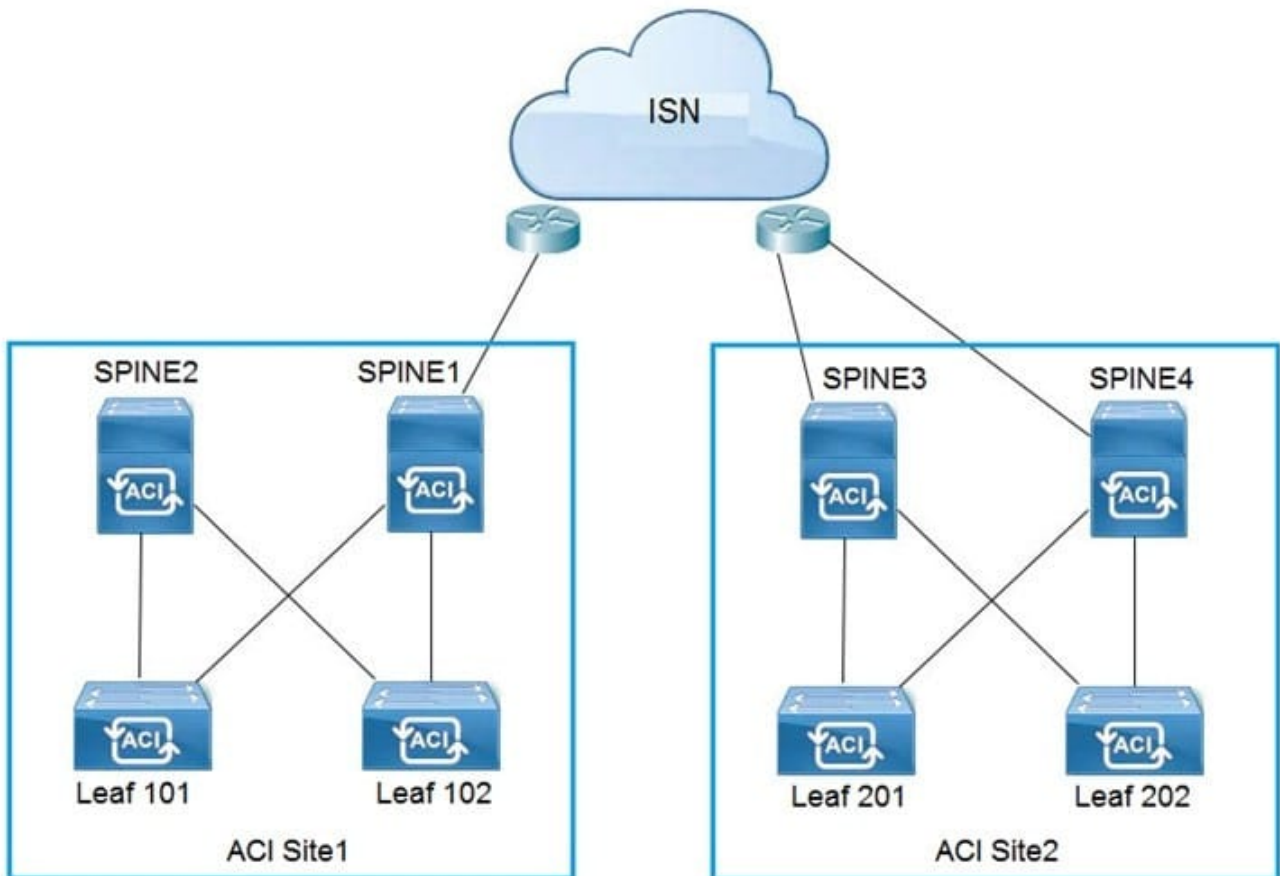
Cisco ACI fabric is migrated from network-centric mode to application-centric mode. What is possible in an application-centric design?

- A. remapping of VLAN pools
- B. migration of bare metal servers to virtual machines
- C. creation of additional EPGs under one bridge domain
- D. Cisco ACI VMM integration with hypervisors

Correct Answer: C

---

#### QUESTION 9

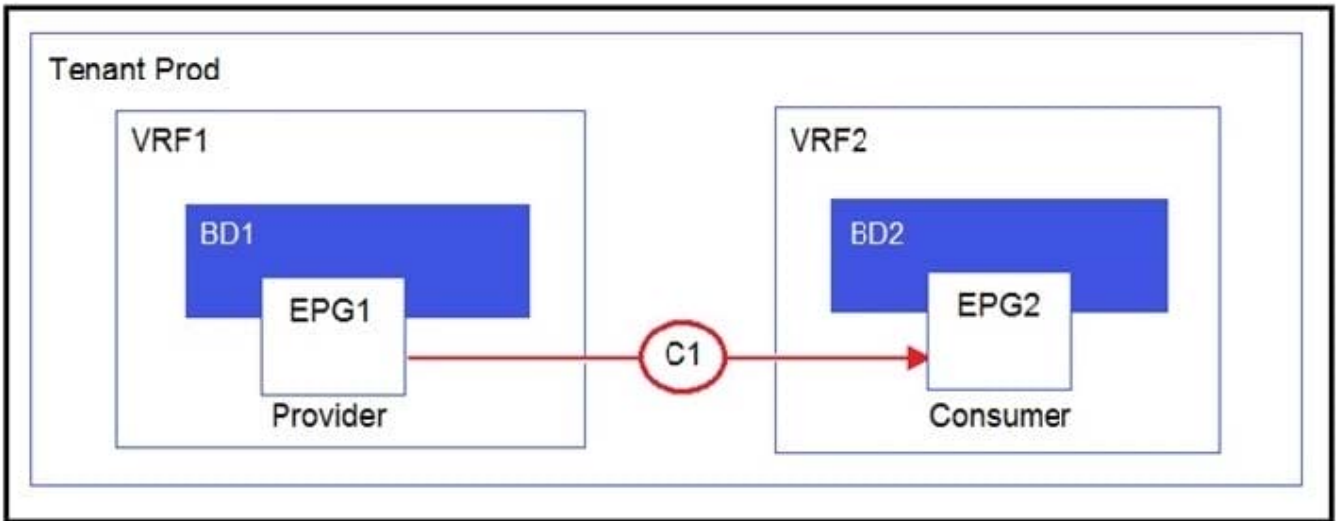


Refer to the exhibit. Which two configuration steps are required in ISN for Cisco ACI Multi-Site setup? (Choose two.)

- A. Connect Spine2 to ISN routers.
- B. Configure BIDIR-PIM throughout the ISN
- C. Increase ISN MTU to support the maximum MTU that is sent by endpoints
- D. Configure OSPF between spines and ISN routers
- E. Enable IGMPv3 on ISN routers

Correct Answer: DE

**QUESTION 10**

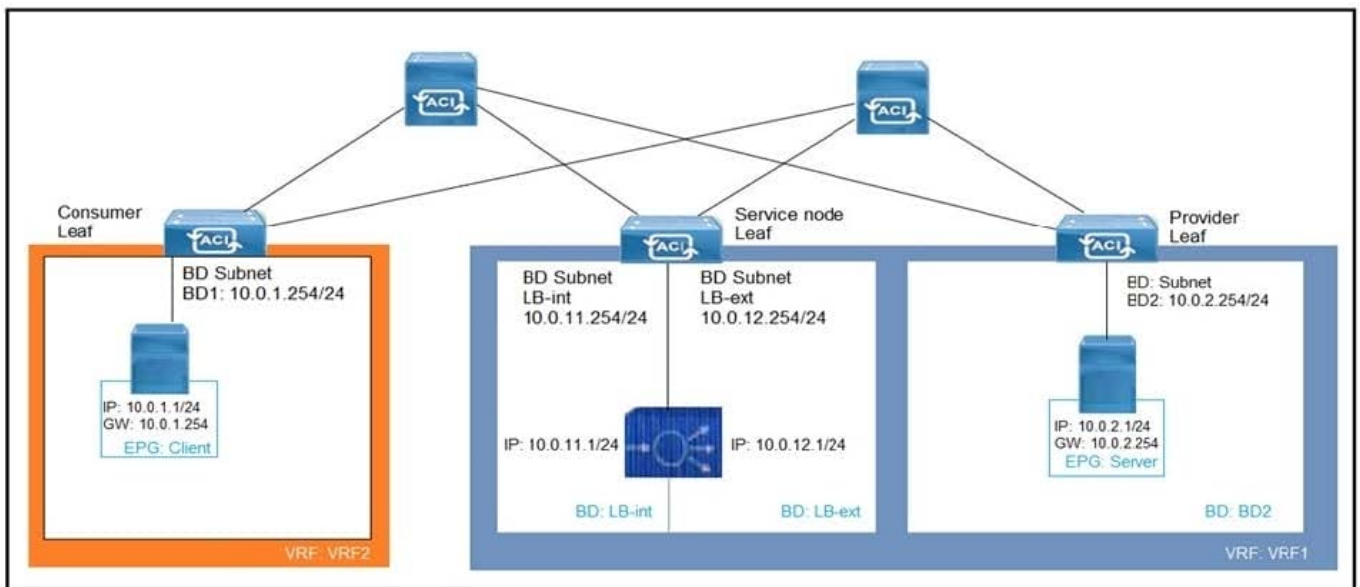


Refer to the exhibit. Which two configurations enable inter-VRF communication? (Choose two.)

- A. Set the subnet scope to Shared Between VRFs
- B. Enable Advertise Externally under the subnet scope
- C. Change the contract scope to Tenant
- D. Change the subject scope to VRF
- E. Export the contract and import as a contract interface

Correct Answer: BE

**QUESTION 11**



Refer to the exhibit. What must be configured to allow the PBR node (LB-int) to monitor the availability of the endpoint

that is in the EPG server?

- A. Endpoint Dataplane Learning
- B. Unicast Route disabled for client and server bridge domains
- C. PBR node tracking
- D. Direct Connect in the service graph template

Correct Answer: A

**QUESTION 12**

DRAG DROP

An engineer deploys a Cisco ACI Multi-Site Orchestrator for the first time. Drag and drop the actions from the left into the steps on the right to add a site and deploy new Cisco ACI objects to the fabric. Not all actions are used.

Select and Place:

Create a template	Step 1
Configure infrastructure	Step 2
Create and associate a tenant	Step 3
Configure multicast routing	Step 4
Define a schema	Step 5
Create a site	

Correct Answer:

	Configure infrastructure
	Create and associate a tenant
	Define a schema
Configure multicast routing	Create a template
	Create a site



**QUESTION 13**

An engineer must allow routes learned from one L3Out to be advertised out another L3Out. The engineer does not have an explicit list of all the routes that must be advertised out, however, they know that they are all part of the 10.16.0.0/16 CIDR block. Which attributes must be selected under Ext-EPG to allow the necessary routes to be advertised out?

- A. Enable Export Route Control Subnet and enable Aggregate Export
- B. Disable Shared Route Control Subnet and enable Aggregate Shared Routes
- C. Enable Export Route Control Subnet and disable Aggregate Shared Routes
- D. Enable Export Route Control Subnet and enable Shared Route Control Subnet

Correct Answer: A

Reference: [https://www.cisco.com/c/en/us/td/docs/switches/datacenter/aci/apic/sw/1-x/ACI\\_Best\\_Practices/b\\_ACI\\_Best\\_Practices/b\\_ACI\\_Best\\_Practices\\_chapter\\_01001.html](https://www.cisco.com/c/en/us/td/docs/switches/datacenter/aci/apic/sw/1-x/ACI_Best_Practices/b_ACI_Best_Practices/b_ACI_Best_Practices_chapter_01001.html)

---

**QUESTION 14**

Which action reduces the impact on workload when migrating from the existing Cisco NX-OS VXLAN network infrastructure to the Cisco ACI fabric?

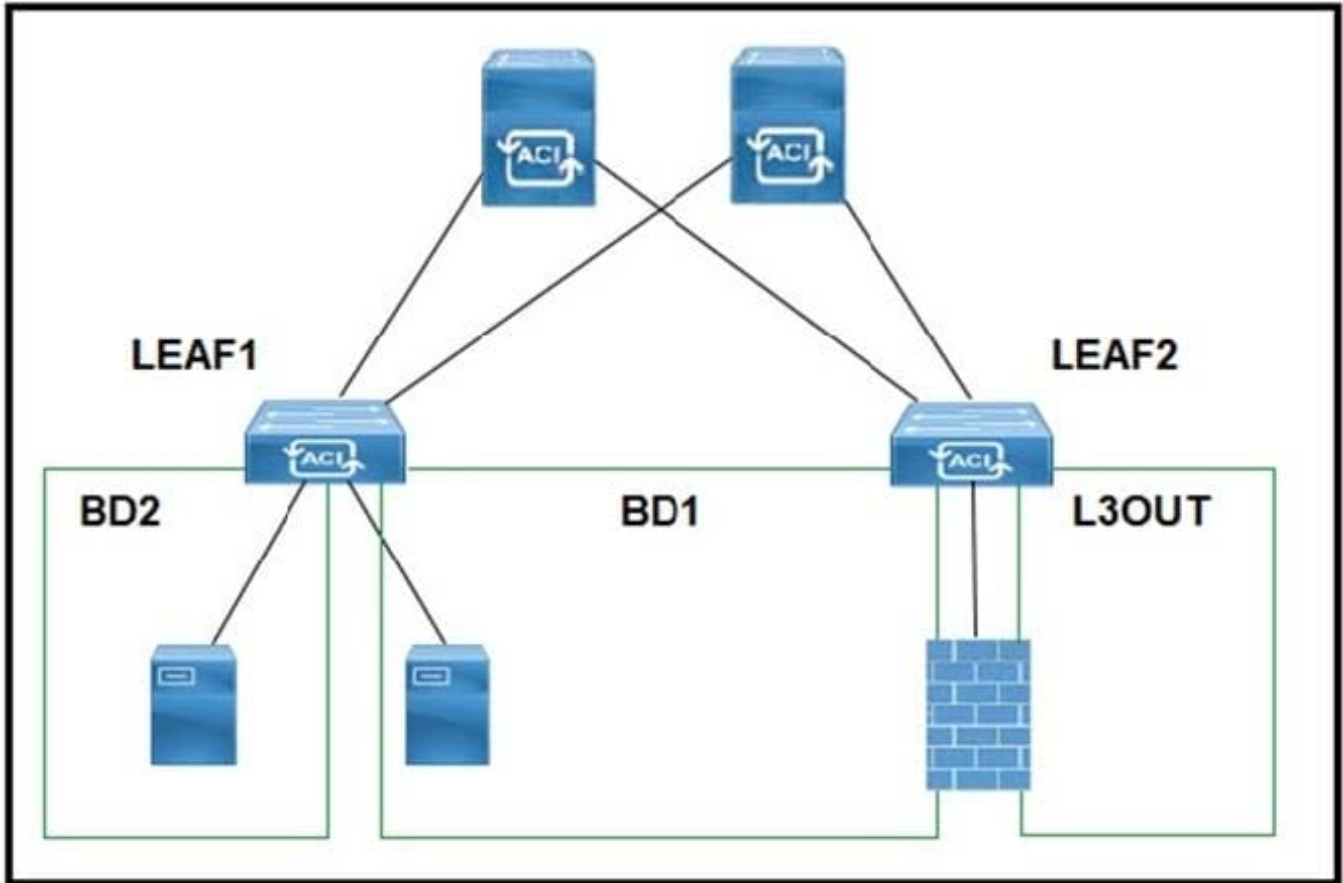
- A. Disable bridge domain unicast routing while a default gateway is in VXLAN infrastructure
- B. Set the default gateway in the Cisco ACI and VXLAN fabrics
- C. Use ACI spines for the Cisco ACI and VXLAN fabrics
- D. Configure vPC between the standalone Nexus and the Cisco ACI leaf

Correct Answer: B

Reference: [https://www.cisco.com/c/en/us/td/docs/switches/datacenter/aci/apic/sw/migration\\_guides/migrating\\_existing\\_networks\\_to\\_aci.html#\\_Toc27467765](https://www.cisco.com/c/en/us/td/docs/switches/datacenter/aci/apic/sw/migration_guides/migrating_existing_networks_to_aci.html#_Toc27467765)

---

**QUESTION 15**



Refer to the exhibit. A customer experiences resource overconsumption on one of its border leaf switches. Which action should be taken to reduce the consumption on this switch?

- A. Disable VRF Policy Control Enforcement
- B. Disable IP Data Plane Learning
- C. Migrate L3Outs to another switch
- D. Disable Remote EP Learning

Correct Answer: B

[300-630 PDF Dumps](#)

[300-630 Practice Test](#)

[300-630 Brindumps](#)