

352-011^{Q&As}

Cisco Certified Design Expert Practical

Pass Cisco 352-011 Exam with 100% Guarantee

Free Download Real Questions & Answers **PDF** and **VCE** file from:

<https://www.pass2lead.com/352-011.html>

100% Passing Guarantee
100% Money Back Assurance

Following Questions and Answers are all new published by Cisco
Official Exam Center

- ⚙️ **Instant Download** After Purchase
- ⚙️ **100% Money Back** Guarantee
- ⚙️ **365 Days** Free Update
- ⚙️ **800,000+** Satisfied Customers



QUESTION 1

A large enterprise network running IS-IS wants to deploy IGP traffic engineering, but they are concerned that the IS-IS default metrics are not flexible enough. Which feature must be enabled to provide traffic engineering with the minimum amount of changes?

- A. IS-IS Narrow Metrics
- B. IS-IS DIS
- C. IS-IS Wide Metrics
- D. IS-IS Multitopology

Correct Answer: C

QUESTION 2

What is an effect of using ingress filtering to prevent spoofed addresses on a network design?

- A. It reduces the effect of DDoS attacks when associated with DSCP remarking to Scavenger
- B. It protects the network infrastructure against spoofed DDoS attacks
- C. It filters RFC 1918 addresses
- D. It classifies bogon traffic and remarks it with DSCP bulk

Correct Answer: B

QUESTION 3

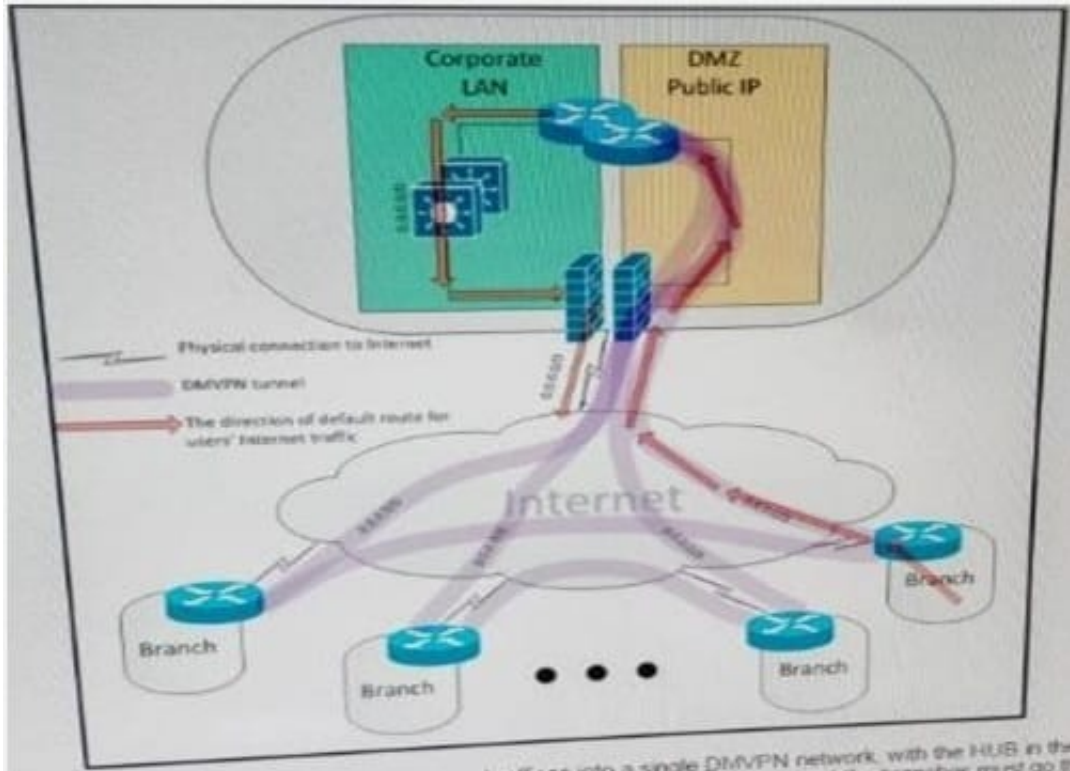
Which solution suppresses the effect of excessive interface flapping events on routing protocols?

- A. IP Event Dampening
- B. SPF Backoff
- C. Carrier Delay
- D. BFD

Correct Answer: A

QUESTION 4

Refer to the exhibit.



A customer interconnected hundreds of branch offices into a single DMVPN network, with the HUB in the main data center. Due to security policies, the customer requires that the default route for all Internet traffic from the users at the branches must go through the tunnel and the only connections that are allowed to and from the branch router over the local internet circuit are the DMVPN tunnels. Which two combined actions must you take on the branch router to address these security requirements and keep the solution scalable? (Choose two)

- A. Place the WAN interface in a front-door VRF, leaving the tunnel interface in the default routing instance
- B. Protect the WAN interface by an inbound ACL that permits only IPsec-related traffic
- C. Implement a zone-based firewall that allows only IPsec-related traffic from zone UNTRUSTED to zone TRUSTED
- D. Add a host route for the public IP address of each remote branch and HUB routers that points directly to the local ISP, and add a default route that points to the tunnel
- E. Use a floating default route with the preferred path over the tunnel and a backup path over the Internet natively

Correct Answer: AB

QUESTION 5

Which three reasons to deploy an IDS sensor in promiscuous mode when you design a security solution are true? (Choose three.)

- A. Solution should be resistant to sensor failure.
- B. Solution should allow for stream normalization.
- C. Solution should not impact jitter and latency for voice traffic.

- D. Solution should allow for signature-based pattern matching.
- E. Solution should allow to deny packets inline.

Correct Answer: ACD

QUESTION 6

How must queue sizes be designed to ensure that an application functions correctly?

- A. The default queue sizes are good for any deployment
- B. Each individual device queuing delay in chain must be less than or equal to the application required delay
- C. The queuing delay on every device in chain must be exactly the same
- D. The sum of the queuing delay of all devices in chain must be less than or equal to the application required delay

Correct Answer: D

QUESTION 7

What is a design aspect regarding multicast transport for MPLS Layer 3 VPNs using the Rosen Draft implementation?

- A. LDP is the multicast control plane protocol.
- B. Multicast traffic is forwarded over GRE tunnels.
- C. Multicast traffic is forwarded over LDP or RSVP signaled LSPs.
- D. Using the MDT SAFI in BGP ensures that PIM can be disabled in the core.

Correct Answer: B

QUESTION 8

Which option describes the fundamental design differences between an IP-based network design and a SAN-based?

- A. An IP-based design has redundant connectivity in the fabric and high amounts of east- west traffic, whereas a SAN-based design uses redundancy from a dual-attached host, which uses separate fabrics and has very little east-west traffic
- B. An IP-based design has redundancy from the host and high amounts of east-west traffic, whereas a SAN-based design uses redundancy in the fabric and very little east-west traffic
- C. An IP-based design has redundant connectivity in the fabric and high amounts of east- west traffic, whereas a SAN-based design uses zoning based redundancy which uses separate fabrics and has very little east-west traffic
- D. An IP-based design has redundant connectivity in the fabric and very little east-west traffic, whereas a SAN-based design uses redundancy in the host, which uses separate fabrics and has high amounts of east-west traffic

Correct Answer: A

QUESTION 9

Which OSPF design consideration, with regards to simplicity and address preservation, must be considered when connecting two Layer 3 switches directly using 10 GBASE-T cabling and formatting an OSPF neighbor adjacency?

- A. Mesh groups must be included in the design
- B. The OSPF Hello and Dead timers must be tuned to detect failures as quickly as possible
- C. The OSPF network type must be set to point-to-multipoint
- D. An OSPF neighbor adjacency formed over loopback interfaces must be placed in Area 0
- E. The OSPF network type must be set to point-to-point

Correct Answer: E

QUESTION 10

Which two options are reasons for designing a large OSPF network with multiple areas connected to the backbone? (Choose two)

- A. Reduce the number of routes within an area
- B. Route tagging capability
- C. Simplify logical topology
- D. Enhance failure detection
- E. Reduce SPF algorithm runs

Correct Answer: AE

QUESTION 11

A Company has these requirements for access to their wireless and wired corporate LANs using 802.1x

Clients devices that corporate assets and have joined the active directory domain are allowed access

Personal devices must be not allowed access

Clients and access servers must be mutually authenticated.

Which solution meets these requirements?

- A. Protected EAP/Microsoft CHAP v2 with user authentication
- B. EAP-TLS with machine authentication

- C. EAP-TLS with user authentication
- D. Protected EAP/Microsoft CHAP v2 with Machine authentication

Correct Answer: B

QUESTION 12

Which two options are design considerations when introducing FCoE into an existing network? (Choose two)

- A. The FCoE QoS markings may overlap with call signaling QoS markings
- B. Optical cabling is needed to transmit FCoE traffic between a server and its directly connected Ethernet switch
- C. The existing network must support a MTU of 3280 bytes
- D. Twinaxial cabling can be used to transmit FCoE traffic between a server and its directly connected Ethernet switch, if it is less than 10 meters
- E. All the servers in the data center must be retrofitted with converged Network Adapters

Correct Answer: AE

QUESTION 13

What is an advantage of placing the IS-IS flooding domain boundary at the core Layer in a three-layer hierarchical network?

- A. The L1 and L2 domains can easily overlap
- B. The L2 domain is contained and more stable
- C. It can be applied to any kind of topology
- D. It reduces the complexity of the L1 domains

Correct Answer: A

QUESTION 14

Which statement about TAP and TUN devices, which are used in a Linux/KVM cloud deployment model, is true?

- A. TUN is for handling IP packets, but TAP is for handling Ethernet frames
- B. TUN is for handling Ethernet frames, but TAP is for handling IP packets
- C. TUN is for tunneling IP packets, but TAP is for tapping IP packets
- D. TUN is for tunneling Ethernet frames, but TAP is for tapping Ethernet frames

Correct Answer: A

QUESTION 15

You are designing a WAN network solution with EIGRP based on VPLS. The interface speed is 10Mb/s, but the access rate of the WAN connection is 256 Kb/s. What should you include in the network design, in order to avoid potential issues with EIGRP?

- A. Limit EIGRP traffic to the access rate with a policer.
- B. Tag outbound EIGRP traffic and have the WAN provider add it to the priority queue.
- C. Limit traffic to the access rate with interface traffic shaping.
- D. Set the interface bandwidth to match the access rate.

Correct Answer: D

[352-011 PDF Dumps](#)

[352-011 Study Guide](#)

[352-011 Exam Questions](#)