

# 4A0-N01<sup>Q&As</sup>

Nuage Networks Virtualized Cloud Services (VCS) Fundamentals

## Pass Nokia 4A0-N01 Exam with 100% Guarantee

Free Download Real Questions & Answers **PDF** and **VCE** file from:

<https://www.pass2lead.com/4a0-n01.html>

100% Passing Guarantee  
100% Money Back Assurance

Following Questions and Answers are all new published by Nokia  
Official Exam Center

- ⚙️ **Instant Download** After Purchase
- ⚙️ **100% Money Back** Guarantee
- ⚙️ **365 Days** Free Update
- ⚙️ **800,000+** Satisfied Customers



### QUESTION 1

For a packet transmitted using VXLAN encapsulation, where is the VXLAN header within the packet?

- A. It is part of the Layer 2 Ethernet header, just like VLAN.
- B. It is added between the Layer 2 header and the Layer 3 IP header.
- C. It is added between the Layer 3 IP header and the TCP/UDP transport layer header.
- D. It is added between the UDP header and the payload.

Correct Answer: C

Reference: <https://openct.net/wp-content/uploads/OpenCT-BaaT-Technical-Documentation-2020.pdf>

---

### QUESTION 2

Which statement is TRUE when comparing Virtual Machines and Containers?

- A. Virtual Machines are faster to boot.
- B. Containers do not need a CMS.
- C. All Virtual Machines on the same hypervisor must run the same guest OS.
- D. All Containers on the same host use the same OS kernel.

Correct Answer: D

Reference: <https://www.nuagenetworks.net/blog/more-on-docker/>

---

### QUESTION 3

Which VSD component provides a south-bound interface for communication with the VSC?

- A. VSD Mediator
- B. Statistics Engine
- C. Policy Management Engine
- D. RESTful API

Correct Answer: A

VSD mediator is a VSD Southbound interface used for communication to the VSC. Reference: <https://matscloud.blogspot.com/2017/06/nuage-networks-vsp-deep-dive.html>

---

**QUESTION 4**

What benefits does virtualization bring to a data center?

- A. Mobility, flexibility, and better resource utilization.
- B. Multitasking with prioritized process scheduling.
- C. More processing power, memory and disk space.
- D. Higher bandwidth, control plane simplification and reduced forwarding tables.

Correct Answer: C

Reference: <https://www.paessler.com/it-explained/virtualization>

---

**QUESTION 5**

What task is NOT part of VSD policy evaluation for a newly-instantiated virtual machine?

- A. Checking metadata.
- B. Creating a virtual port.
- C. Building a forwarding table
- D. Assigning an IP address.

Correct Answer: C

---

**QUESTION 6**

What is NOT a requirement for modern data center networks to facilitate cloud computing?

- A. Multi-tenancy
- B. Network automation
- C. Virtual machine live migration
- D. Network function virtualization

Correct Answer: D

---

**QUESTION 7**

What statement regarding active/standby VSD cluster is TRUE?

- A. Both the primary and secondary cluster are running all VSD services.
- B. XMPP connections to the secondary cluster are blocked.

- C. The active/standby mode is also supported in standalone VSD.
- D. VSP components (eg: VSCs) need reconfiguration after failover.

Correct Answer: C

---

#### **QUESTION 8**

What impact does server virtualization have on a traditional datacenter network?

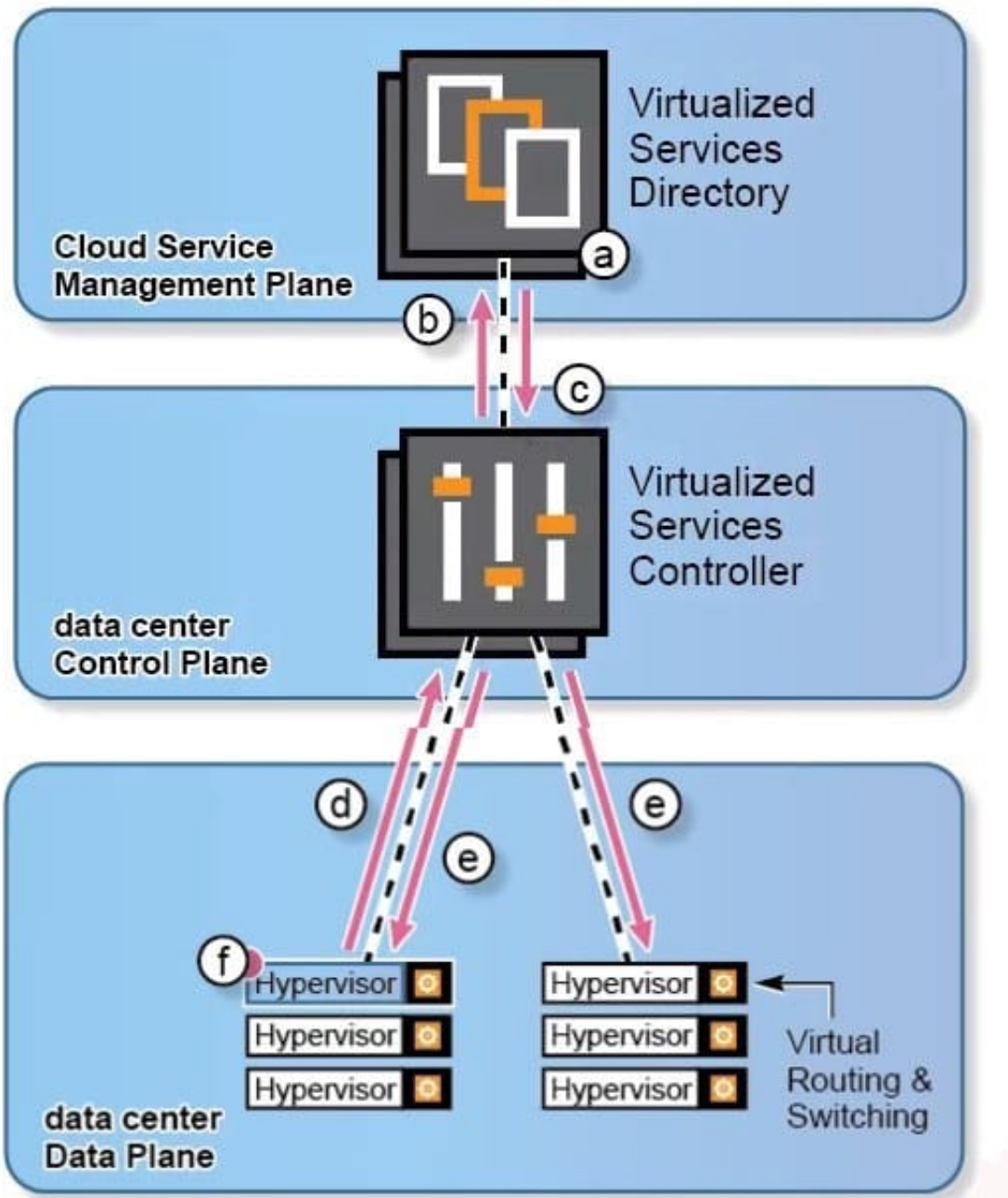
- A. Traffic between the virtual machines must be carried in the overlay network, which is not supported by a traditional datacenter network.
- B. Server virtualization requires a hardware upgrade of the network devices (for example, TOR/EOR switch, leaf and spine routers) in a traditional datacenter network.
- C. Server virtualization requires a software upgrade of the network devices (for example, TOR/EOR switch, leaf and spine routers) in a traditional datacenter network.
- D. Traditional network configuration involves manual interaction, which cannot keep up with the dynamic reallocation of compute resources to virtual machines.

Correct Answer: C

---

#### **QUESTION 9**

Refer to the diagram.



What is the correct sequence of events for a VM to be instantiated, and for its required network connectivity to be created with the Nuage VCS solution?

- a. Network domain and policy templates are defined on VSD.
- b. VSC queries VSD on network service and policies.
- c. VSD provides VSC with network service and policies.

d.

VRS agent informs VSC of the new VM placement.

e.

VSC deploys policy to applicable VRS agents.

f.

VM instantiated on the hypervisor.

A.

a->b->c->d->e->f

B.

a->b->c->f->d->e

C.

a->f->d->b->c->e

D.

f->d->b->a->c->e

Correct Answer: D

---

#### QUESTION 10

What statement regarding VSC deployment is TRUE?

A. VSC can be deployed in standalone mode or in high-availability cluster mode.

B. VSC can only be installed as virtual machines.

C. VSC is based on SR OS, and thus can be integrated module on the 7750 SR.

D. XMPP is used to synchronize the active and standby VSCs.

Correct Answer: D

---

#### QUESTION 11

What is NOT a function of VRS?

A. VxLAN tunneling

B. Detecting VM events

- C. DHCP and ARP proxy
- D. Libvirt

Correct Answer: B

---

**QUESTION 12**

To auto-instantiate services on a 7750 DCI, which protocol needs to be enabled between the 7750 SR and VSD?

- A. SNMP
- B. Openflow
- C. XMPP
- D. BGP EVPN

Correct Answer: C

---

**QUESTION 13**

What function is NOT supported on the Nuage 7850 VSG?

- A. Hardware VXLAN/VLAN gateway
- B. Cloud orchestration
- C. Top of Rack switch/Leaf router
- D. VSC functionality

Correct Answer: B

---

**QUESTION 14**

Which of the following is NOT an improvement provided by the backhaul VPLS?

- A. Reducing the number of EVPN on the HV.
- B. Reducing the number of VXLAN tunnels.
- C. Reducing the size of MAC address table.
- D. Reducing the consumption of bandwidth.

Correct Answer: B

---

**QUESTION 15**

What occurrence is NOT a problem facing a traditional data center network?

- A. High packet loss due to the use of the 3-tier hierarchy.
- B. Sub-optimal traffic flow.
- C. About half of the bandwidth is not used due to links being disabled by STP.
- D. High latency for some applications.

Correct Answer: B

Reference: <https://nsl.cs.sfu.ca/teaching/13/880/surveyVirtualization.pdf>

[Latest 4A0-N01 Dumps](#)

[4A0-N01 Study Guide](#)

[4A0-N01 Braindumps](#)