

CLAD^{Q&As}

Certified LabVIEW Associate Developer Examination

Pass EC-COUNCIL CLAD Exam with 100% Guarantee

Free Download Real Questions & Answers **PDF** and **VCE** file from:

<https://www.pass2lead.com/clad.html>

100% Passing Guarantee
100% Money Back Assurance

Following Questions and Answers are all new published by EC-COUNCIL Official Exam Center

- ⚙️ **Instant Download** After Purchase
- ⚙️ **100% Money Back** Guarantee
- ⚙️ **365 Days** Free Update
- ⚙️ **800,000+** Satisfied Customers



QUESTION 1

You customize a control, select Control from the Type Def. Status pull-down menu, and save the control as a .ctl file. You then use an instance of the custom control on your front panel window. If you open the .ctl file and modify the control, does the control on the front panel window change?

- A. Yes
- B. No

Correct Answer: B

QUESTION 2

A coercion dot indicates that:

- A. The data types are consistent
- B. A polymorphic operation will be performed on the data
- C. A data buffer is created to handle data conversion
- D. Data values are being coerced because they are out of range

Correct Answer: C

QUESTION 3

Clicking on the _____ button allows you to bypass a node in the Block Diagram without single-stepping through the node.

- A. Step Into
- B. Step Over
- C. Step Out
- D. Step Through

Correct Answer: B

QUESTION 4

In what instance would you use the Probe tool rather than Highlight Execution?

- A. To see the flow of data
- B. To see the value of a wire in real-time

- C. To look into a SubVI, as the process is running
- D. To slowdown the VI and show data values in wires

Correct Answer: B

QUESTION 5

The Error list shows all of the following but: A. Items with errors

- B. Errors and warnings
- C. Details about the warnings
- D. Error Codes

Correct Answer: D

QUESTION 6

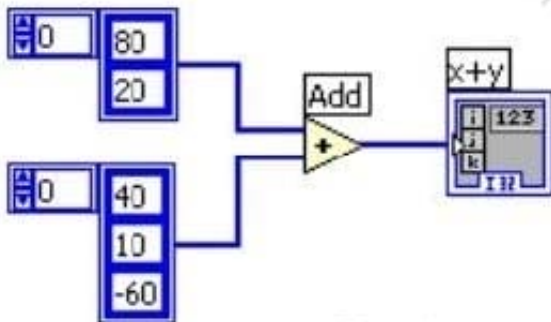
You develop a SubVI that only outputs a value and need to use this SubVI in a (calling) VI. Which of the following is the best way to enforce dataflow to control the execution of the SubVI?

- A. Use the SubVI in a Sequence structure
- B. Modify the SubVI to have dummy inputs that can be used from the calling VI
- C. Modify the SubVI to have Error clusters that can be used from the calling VI
- D. Modify the SubVI to have a global variable and use it from the calling VI

Correct Answer: C

QUESTION 7

What is the result of the following Array addition?



- A. a 1-D Array of {80, 20, 40, 10, -60}

B. b.1-D Array of {120, 30, -60} C. c.1-D Array of {120, 30}

D. d.2-D Array of {{120, 90, 20}, {60, 30, -40}}

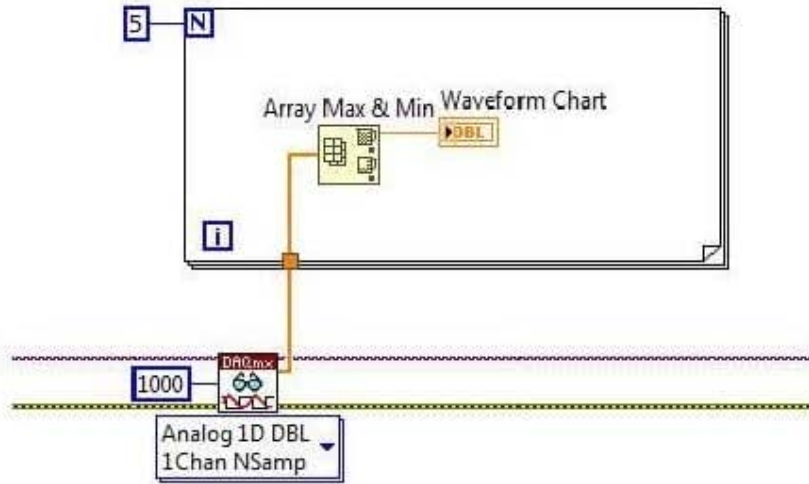
Correct Answer: C

QUESTION 8

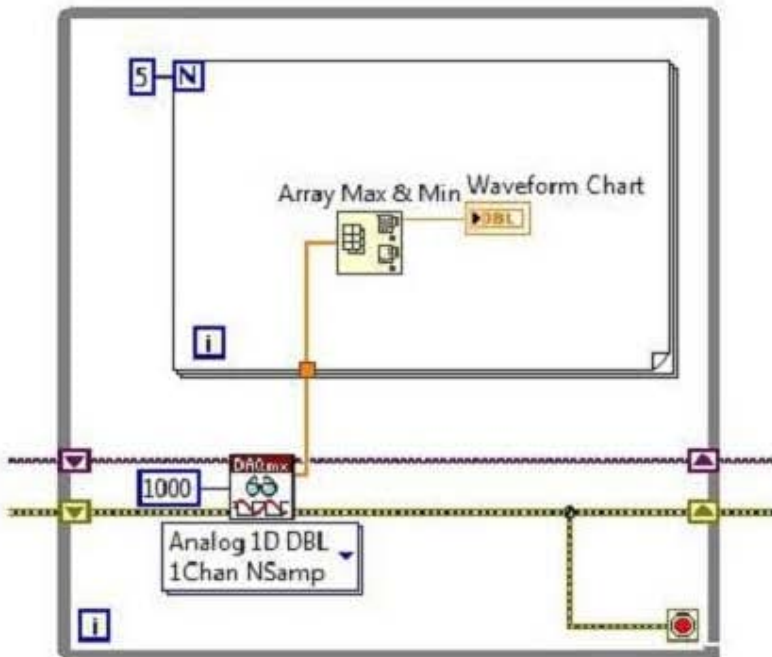
The DAQmx task is set to acquire at a rate of 1000 Hz.

Which VI Snippet acquires and plots only the maximum value for each set of 1000 samples, for a period of 5 seconds?

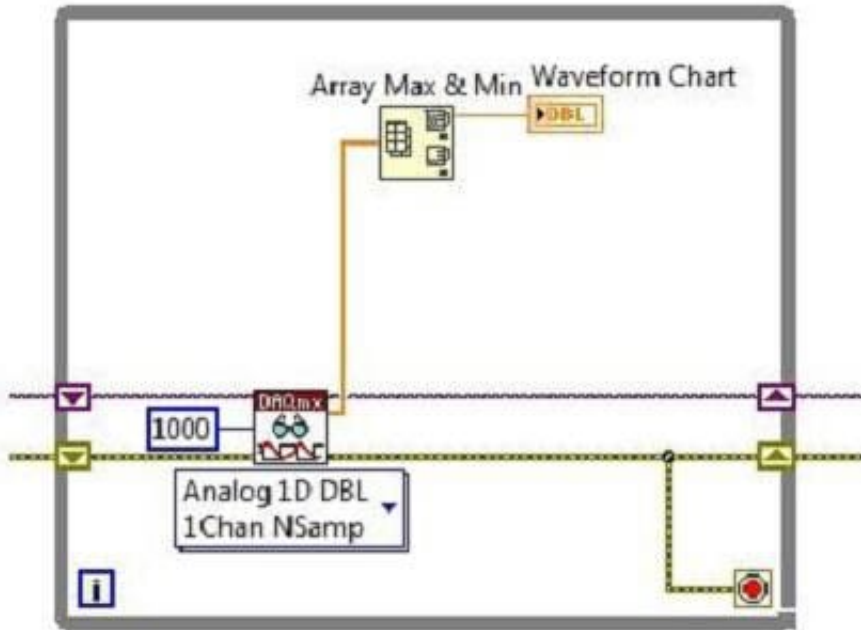
A.



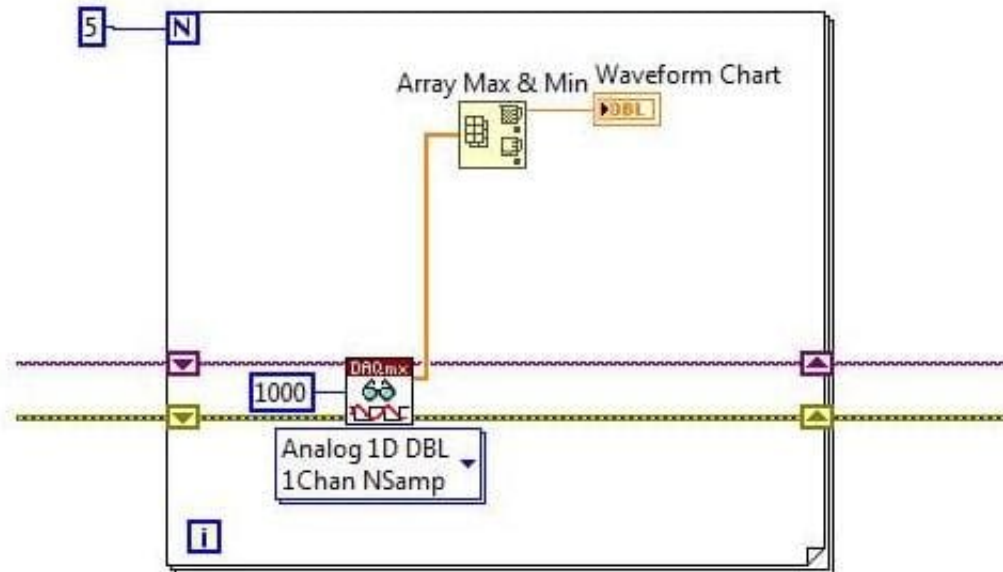
B.



C.



D.



A. Option A

B. Option B

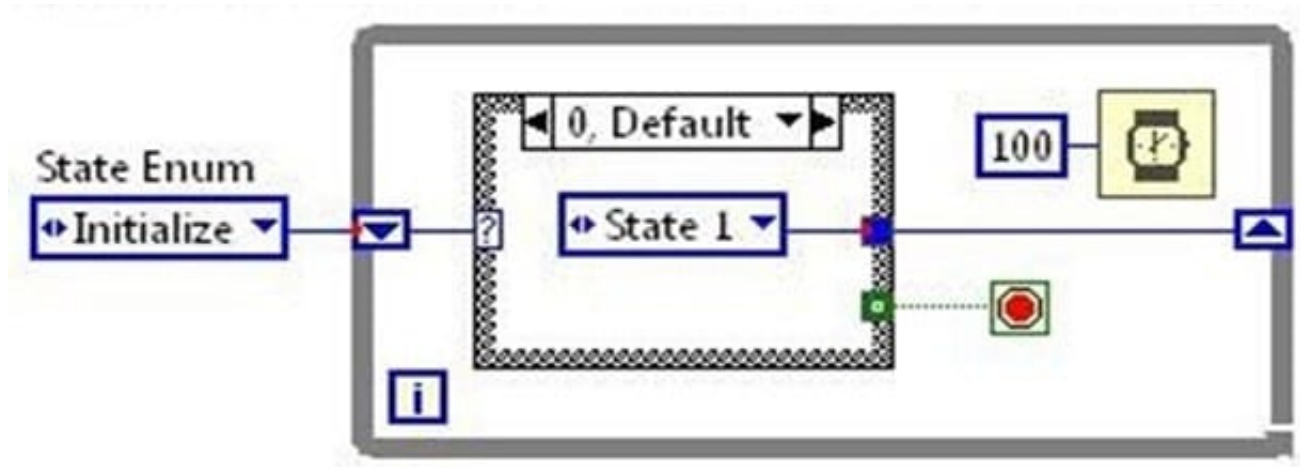
C. Option C

D. Option D

Correct Answer: A

QUESTION 9

What of these could cause the Case Structure's case selector to show numbers instead of the Enum text?



- A. The Case Structure Options are set to display Enum as Numeric
- B. The Enum constants are not Type Defs
- C. The Coercion dots prevent the text from displaying
- D. The Enum constants have inconsistent sets of cases

Correct Answer: A

QUESTION 10

Which VI memory components are ALWAYS resident for a SubVI? (Choose all apply)

- A. Data Space
- B. Front Panel
- C. Block Diagram
- D. Code

Correct Answer: AD

QUESTION 11

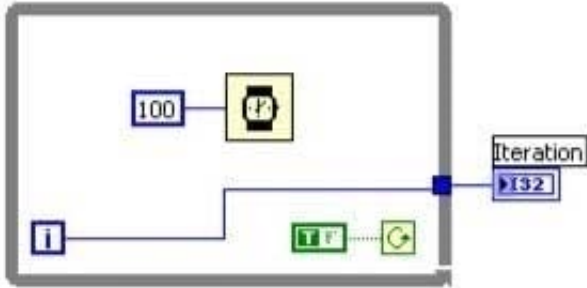
What is the best method to stop a While loop on an error condition?

- A. Compare the Status boolean of an error cluster with a constant and wire it to the Stop terminal
- B. Connect the error wire directly to the Stop terminal
- C. Create an Event structure to handle the error event
- D. Use the Error Handler VI to automatically handle the error

Correct Answer: B

QUESTION 12

Which of the following statements is true about the following block diagram?



- A. The loop will execute once and the iteration terminal, **i**, will output a value of one
- B. The loop will execute once and the iteration terminal, **i**, will output a value of zero
- C. The loop will execute infinitely and the program will have to be aborted
- D. The loop will not execute and the iteration terminal, **i**, will return a null value

- A. Option A
- B. Option B
- C. Option C
- D. Option D

Correct Answer: C

QUESTION 13

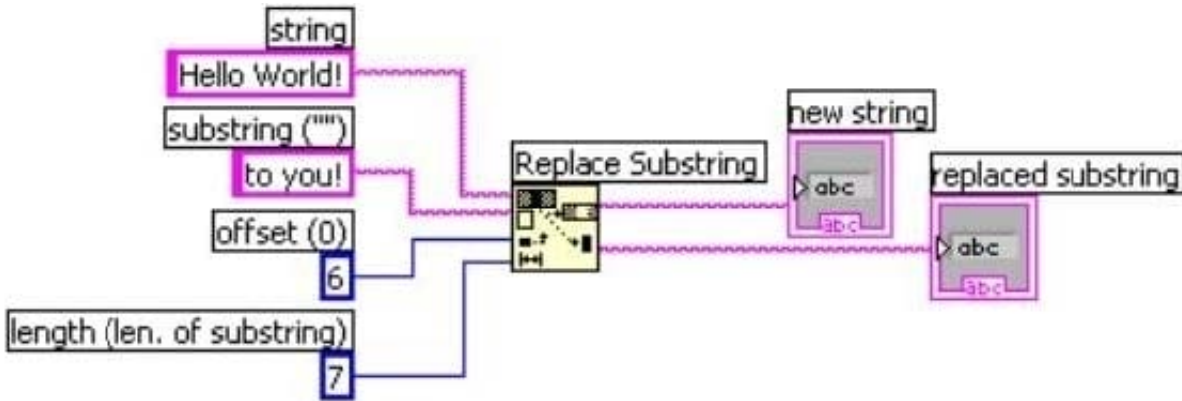
Which of the following statements regarding the index of Arrays are NOT true?

- A. The index is used to access a particular element of an Array.
- B. The index ranges from 1 to n.
- C. A 2-D Array has both a column index and a row index.
- D. The index ranges from 0 to n-1.

Correct Answer: B

QUESTION 14

What is the result in new string after the following code has executed?

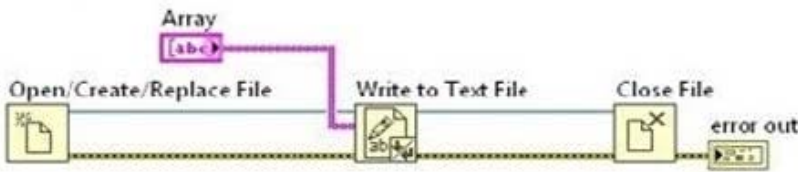


- A. Hello to you!
- B. Hello Wto you!
- C. Hello to you!!
- D. Helloto you!

Correct Answer: A

QUESTION 15

When run, this VI will: A. Error because no file path and no prompt are specified



LabVIEW Help

Hide Locate Back Forward Options

Open/Create/Replace File Function

Owning Palette: [File I/O VIs and Functions](#)

Requires: Base Development System

Opens an existing file, creates a new file, or replaces an existing file, programmatically or interactively using a file dialog box. This function does not work for files inside an LLB.

[Details](#) [Example](#)

prompt
file path (use dialog)
operation (0:open)
access (0:read/write)
error in
disable buffering (F)

refnum out
cancelled
error out

+ Add to the block diagram Find on the palette

prompt is the message that appears above the list of files and directories or folder in the file dialog box.

file path is the absolute path to the file. If you do not wire **file path**, the function displays a dialog box from which you can select a file. If you specify an empty or relative path, this function returns an error. If **file path** is the path to a directory that does not exist, this function returns an error. Use the [Create Folder](#) function to create a directory.

operation is the operation to perform. Error 43 occurs if you cancel the dialog box.

0	open (default)—Opens an existing file. Error 7 occurs if the file cannot be found.
1	replace —Replaces an existing file by opening the file and setting its end of file to 0.
2	create —Creates a new file. Error 10 occurs if the file already exists.
3	open or create —Opens an existing file or creates a new file if one does not exist.
4	replace or create —Creates a new file or replaces a file if it exists. This VI replaces a file by opening the file and setting its end of file to 0.
5	replace or create with confirmation —Creates a new file or replaces a file if it exists and you give permission. This VI replaces a file by opening the file and setting its end of file to 0.

- B. Write to a default text file in the application directory
- C. Prompt for the location of an existing file and write to that file
- D. Prompt for a location to create a text file and write to that file

Correct Answer: D

[CLAD Practice Test](#)

[CLAD Exam Questions](#)

[CLAD Braindumps](#)