

JN0-102^{Q&As}

Juniper Networks Certified Internet Associate, Junos(JNCIA-Junos)

Pass Juniper JN0-102 Exam with 100% Guarantee

Free Download Real Questions & Answers **PDF** and **VCE** file from:

<https://www.pass2lead.com/jn0-102.html>

100% Passing Guarantee
100% Money Back Assurance

Following Questions and Answers are all new published by Juniper
Official Exam Center

- ⚙️ **Instant Download** After Purchase
- ⚙️ **100% Money Back** Guarantee
- ⚙️ **365 Days** Free Update
- ⚙️ **800,000+** Satisfied Customers



QUESTION 1

You must configure the 2bfc:0000:0000:beef:0217:cbff:0000:5c85 IPv6 address on your device. In this scenario, which three addresses are correct? (Choose three.)

- A. 2BFC::BEEF:217:CBFF::5C85
- B. 2BFC::BEEF:217:CBFF:0:5C85
- C. 2bfc:0:beef:0217:cbff:0:5c85
- D. 2bfc:0:0:beef:0217:cbff:0:5c85
- E. 2BFC::BEEF:0217CBFF:0:5C85

Correct Answer: BDE

QUESTION 2

What must be configured prior to the first commit after factory defaults are loaded?

- A. root authentication
- B. default gateway
- C. host name
- D. management services

Correct Answer: A

QUESTION 3

Which two commands would you use to discard a candidate configuration? (Choose two.)

- A. rollback
- B. delete
- C. delete 0
- D. rollback 0

Correct Answer: AD

QUESTION 4

Which statement is true about PFEs?

- A. A PFE receives hardware status messages from the RE.
- B. A PFE receives microcode updates from the RE.
- C. A PFE receives environmental status messages from the RE.
- D. A PFE receives layer 4 forwarding table updates from the RE.

Correct Answer: B

QUESTION 5

During a password recovery, what is the next step after configuring the system to boot into single-user mode?

- A. Reset the root password.
- B. Press the space bar.
- C. Type recovery.
- D. Press the "Enter" key.

Correct Answer: C

QUESTION 6

Which two statements are true of a network mask? (Choose two.)

- A. A subnet mask specifies the portion of an IP address that is in a binary format.
- B. A subnet mask specifies the portion of an IP address that is in a decimal format.
- C. A subnet mask specifies the portion of an IP address that represents a network prefix.
- D. A subnet mask specifies the portion of an IP address that represents network hosts.

Correct Answer: CD

QUESTION 7

Which two firewall filter actions will terminate the processing and evaluation of a packet? (Choose two.)

- A. permit
- B. accept
- C. deny
- D. discard

Correct Answer: BD

QUESTION 8

Which statement is true about a routing table?

- A. It contains routes learned dynamically only.
- B. It finds the best path to each destination by using a modified shortest-path-first calculation.
- C. It contains only active BGP routes.
- D. It contains all accepted routes to all destinations.

Correct Answer: D

QUESTION 9

Which route filter match type only matches prefixes greater than the defined prefix?

- A. exact
- B. upto
- C. longer
- D. orlonger

Correct Answer: C

QUESTION 10

In the Junos OS, what handles transit traffic?

- A. Transit traffic is handled by the RE only.
- B. Transit traffic is handled by the PFE only.
- C. Transit traffic is handled by both the RE and the PFE.
- D. Transit traffic is not handled by the RE or the PFE.

Correct Answer: B

QUESTION 11

Which three statements are true about IPv6 link local address? (Choose three.)

- A. They begin with the prefix fe80::/64.
- B. They are optional addresses.

- C. They provide reachability to the Internet.
- D. They are not guaranteed to be unique outside of the network segment.
- E. They can be assigned manually or dynamically.

Correct Answer: ADE

QUESTION 12

You have been asked to configure your MX240 with a default route toward your upstream ISP at IP address 192.168.100.1.

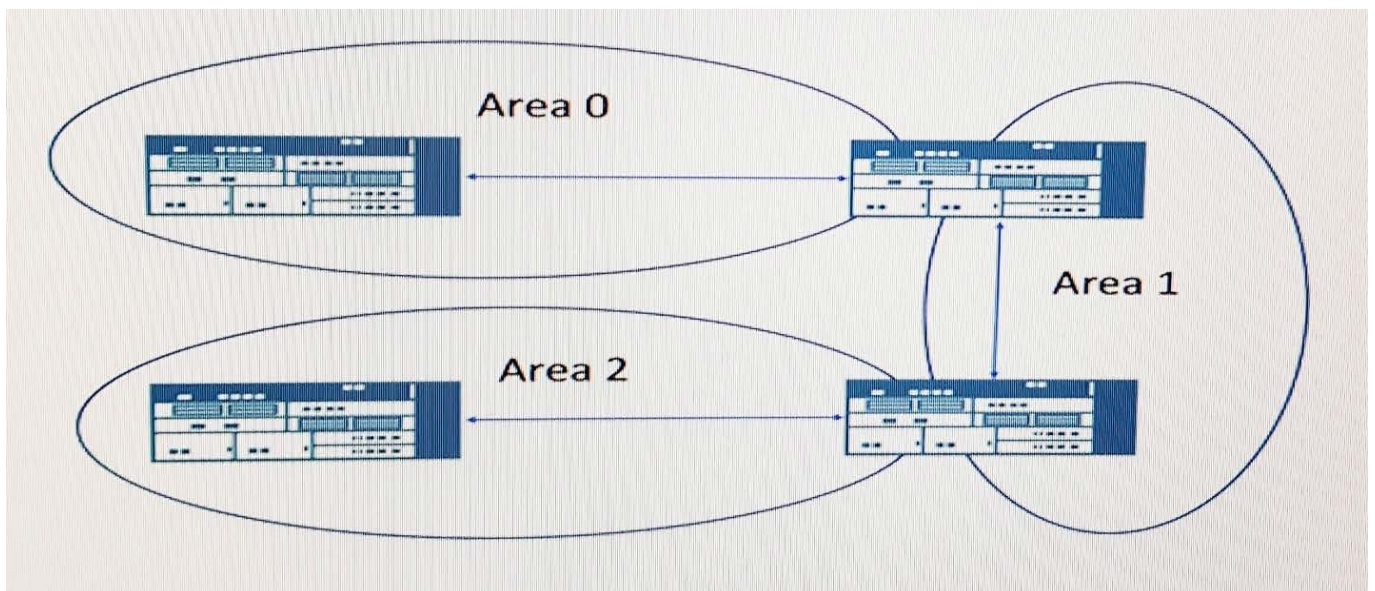
Which command successfully completes this task?

- A. user@router# set routing-options static route 0.0.0.0/0 next-hop 192.168.100.1
- B. user@router# set routing-options default route 0.0.0.0/0 next-hop 192.168.100.1
- C. user@router# set forwarding-options static route 0.0.0.0/0 next-hop 192.168.100.1
- D. user@router# set protocols default route 0.0.0.0/0 next-hop 192.168.100.1

Correct Answer: A

QUESTION 13

Click the Exhibit button.



Referring to the exhibit, which OSPF feature would connect Area 0 to Area 2?

- A. Route summarization

- B. Database synchronization
- C. Equal-cost multipath
- D. Virtual link

Correct Answer: D

QUESTION 14

Which two statements are true regarding the role of the Routing Engine (RE)? (Choose two.)

- A. The RE controls and monitors the chassis.
- B. The RE manages the Packet Forwarding Engine (PFE).
- C. The RE receives a copy of the forwarding table from the forwarding plane.
- D. The RE implements class of service (COS).

Correct Answer: AB

QUESTION 15

Which statement is correct regarding exception traffic on Junos devices?

- A. The built-in rate limiter for exception Traffic is configured.
- B. The Junos OS has a built-in rate limiter for exception traffic.
- C. The Junos OS does not provide congestion control for exception traffic sent to the RE.
- D. All exception traffic destined for the RE is sent over the out-of-band management link.

Correct Answer: B

[JN0-102 Practice Test](#)

[JN0-102 Exam Questions](#)

[JN0-102 Braindumps](#)