

# NS0-502<sup>Q&As</sup>

NetApp Certified Implementation Engineer-SAN and Virtualization

## Pass Network Appliance NS0-502 Exam with 100% Guarantee

Free Download Real Questions & Answers **PDF** and **VCE** file from:

<https://www.pass2lead.com/ns0-502.html>

100% Passing Guarantee  
100% Money Back Assurance

Following Questions and Answers are all new published by Network Appliance Official Exam Center

- ⚙️ **Instant Download** After Purchase
- ⚙️ **100% Money Back** Guarantee
- ⚙️ **365 Days** Free Update
- ⚙️ **800,000+** Satisfied Customers



**QUESTION 1**

What is the appropriate method for testing high availability controller failover?

- A. pull a power cord from a power supply on a controller
- B. shut down a controller
- C. issue the takeover command from a controller
- D. issue the giveback command from a controller

Correct Answer: C

---

**QUESTION 2**

Which utility on Solaris 10 can be used to collect information about firmware and driver versions for an Emulex LP1xxx/LPe1xxx HBA?

- A. EMutil
- B. SANutil
- C. hbainfo
- D. SANsurfer
- E. HBAnywhere

Correct Answer: E

---

**QUESTION 3**

Which native GUI switch tool is used to manage Cisco MDS-Series switches and directors?

- A. Operations Manager
- B. Fabric Manager
- C. Web Tools
- D. Data Fabric Manager

Correct Answer: B

---

**QUESTION 4**

Which of these attributes can affect LUN I/O alignment?

- A. The same LUN is present in two igroups with differing ALUA states.
- B. The starting offset of the first file system block on the host.
- C. The LUN is a boot LUN.
- D. The LUN is part of a logical volume.

Correct Answer: B

---

#### QUESTION 5

When planning for fault tolerant power connections, how should each device to be connected?

- A. with a single power feed
- B. with dual power feeds
- C. with dual power feeds connected to separate outlets
- D. with dual power feeds connected to separate circuits

Correct Answer: D

---

#### QUESTION 6

An organization currently has a NetApp Fibre Channel block-based solution. With limited budget and resources, they want to create a new disaster recovery site that utilizes a NetApp solution.

What would the optimal solution include?

- A. SnapMover and Fibre Channel at the disaster recovery site for all hosts
- B. SnapMirror and iSCSI at the disaster recovery site for all hosts
- C. Fibre Channel at both locations using ftp to replicate storage
- D. MetroCluster and NAS

Correct Answer: B

---

#### QUESTION 7

You connect a host to a NetApp storage system through an FC switch. The host has its boot volumes on the NetApp storage system.

What is mandatory for you to configure?

- A. persistent binding
- B. port zoning
- C. portsets
- D. WWPN zoning

Correct Answer: A

**QUESTION 8**

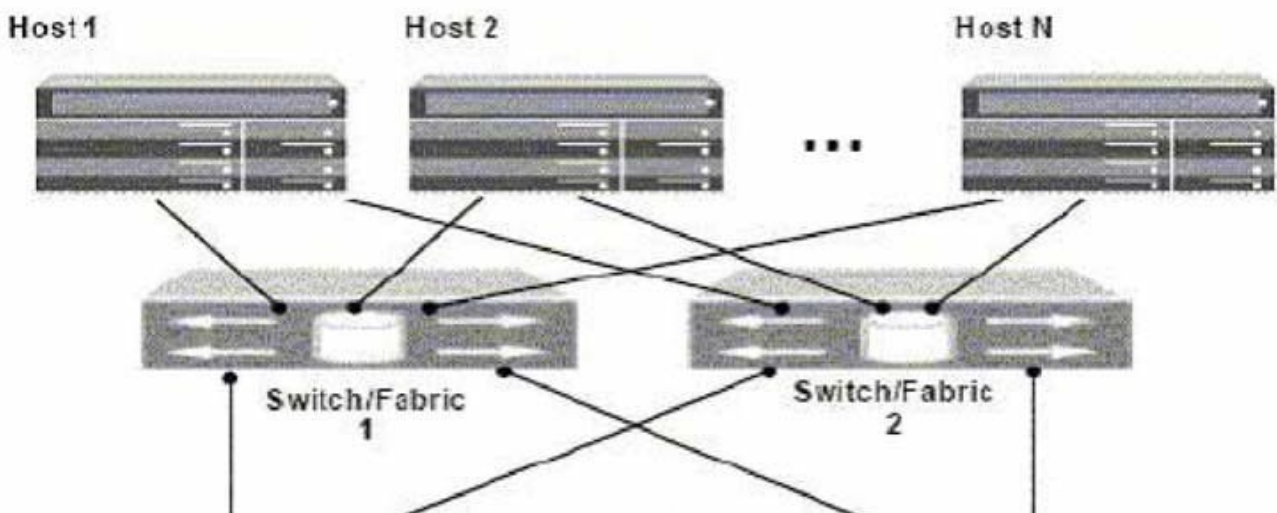
A user wants to access a FCP VMFS datastore created on a NetApp LUN using a properly configured ESX 3.5 system with a new ESX 4.0 system. Without making changes to the LUN or igroup attributes, what setting should be used for the SATP (Storage Array Type Plugin)?

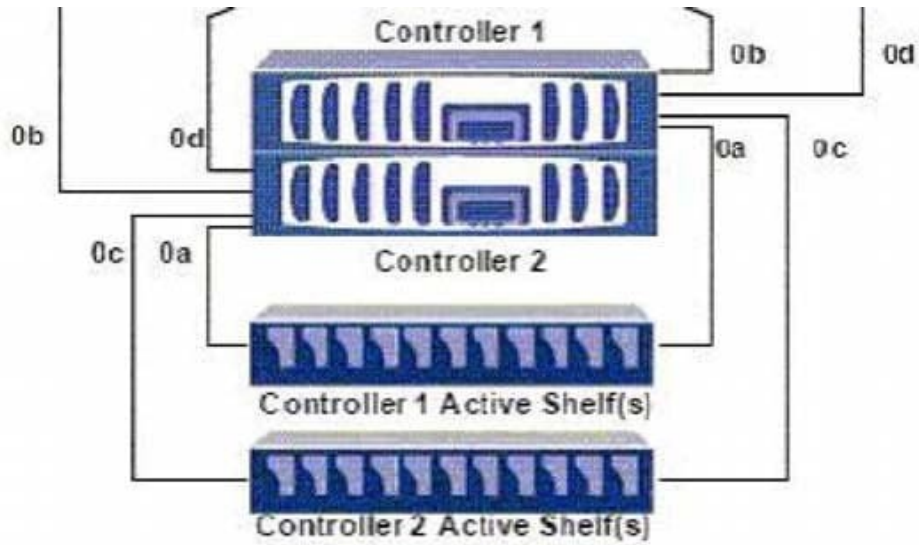
- A. VM\_SATP\_ALUA
- B. VMW\_SATP\_DEFAULT\_AA
- C. The LUN has to be changed to ALUA before accessing from ESX 4.0)
- D. VM\_SATP\_DEFAULT

Correct Answer: B

**QUESTION 9**

Click the Exhibit button.





In the diagram shown, a portset is created on controller 1 with the command:

`controller1>portset create -f ntapportset 0b`. This portset is bound to the igroup with all the initiators in it. How many paths can host 1 see to a LUN on controller 1?

- A. six paths
- B. four paths
- C. eight paths
- D. two paths

Correct Answer: D

**QUESTION 10**

A dual controller FAS3100 series is connected to a dual fabric with two active target ports per fabric in a single-image cfm mode, and uses a single portset.

What is the number of paths for ten LUNs on a single host with one connection to each fabric?

- A. 10
- B. 20
- C. 30
- D. 40
- E. 80

Correct Answer: D

**QUESTION 11**

A company has a Fibre Channel environment and wants to connect a new host in a remote data center using 50/125um OM2 multi-mode fiber cable and needs to support 2 Gb speeds.

What is the maximum distance of the cable run supported in this situation?

- A. 50/125um OM2 multi-mode fiber cable supports up to 500 meters at 2 Gb.
- B. 50/125um OM2 multi-mode fiber cable supports up to 10000 meters at 2 Gb.
- C. 50/125um OM2 multi-mode fiber cable supports up to 150 meters at 2 Gb.
- D. 50/125um OM2 multi-mode fiber cable supports up to 300 meters at 2 Gb.

Correct Answer: D

---

**QUESTION 12**

You need to gather information from the host systems that will be attached to the NetApp storage system using either FC or iSCSI. This information includes operating system version, patch levels, open bus slots, and cards in bus slots.

What other information must you gather from the host systems?

- A. bus type (PCIe and/or PCI-x) and video adapters
- B. memory in system and Ethernet ports (both used and free)
- C. bus type (PCIe and/or PCI-x) and Ethernet ports (both used and free)
- D. bus type (PCIe and/or PCI-x) and Serial ports (both used and free)

Correct Answer: C

---

**QUESTION 13**

For which four operations would you use igroup throttles on a NetApp storage solution? (Choose four.)

- A. to assign a specific percentage of the queue resources on each physical port to the igroup
- B. to manage pathing to the LUNs
- C. to reserve a minimum percentage of queue resources for a specific igroup
- D. to limit the number of concurrent I/O requests an initiator can send to the storage system

- E. to restrict an igroup to a maximum percentage of use
- F. to manage space reclamation

Correct Answer: ACDE

---

**QUESTION 14**

Which type of zoning does NetApp recommend?

- A. World Wide Name zoning
- B. World Wide Port Name zoning
- C. World Wide Node Name zoning
- D. Switch World Wide Name zoning

Correct Answer: B

---

**QUESTION 15**

A Solaris administrator just noticed that a host has lost connectivity to the company SAN. Which file should the administrator check for SAN connectivity errors?

- A. /opt/errorlog.log
- B. /etc/syslog
- C. /var/adm/messages
- D. /etc/sysevent

Correct Answer: C

[NS0-502 PDF Dumps](#)

[NS0-502 Practice Test](#)

[NS0-502 Study Guide](#)