

OMG-OCUP-200^{Q&As}

OMG-Certified UML Professional Intermediate Exam

**Pass OMG OMG-OCUP-200 Exam with 100%
Guarantee**

Free Download Real Questions & Answers **PDF** and **VCE** file from:

<https://www.pass2lead.com/omg-ocup-200.html>

100% Passing Guarantee
100% Money Back Assurance

Following Questions and Answers are all new published by OMG
Official Exam Center

-  **Instant Download** After Purchase
-  **100% Money Back** Guarantee
-  **365 Days** Free Update
-  **800,000+** Satisfied Customers



QUESTION 1

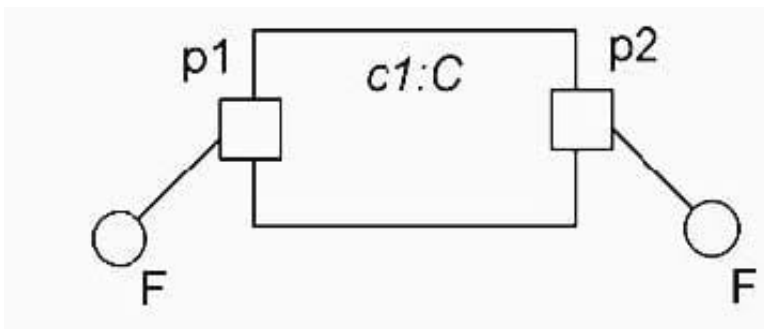
What is the primary extension construct of a profile?

- A. a metaclass
- B. a constraint
- C. a stereotype
- D. a tag definition

Correct Answer: C

QUESTION 2

What does the composite structure exhibit show?



- A. The diagram is not valid.
- B. The two F interfaces must come from different packages.
- C. Requests for behavioral features of interface F through ports p1 and p2 can be distinguished.
- D. Requests for behavioral features of interface F through ports p1 and p2 will always result in the same behavior.

Correct Answer: C

QUESTION 3

What symbol depicts a SendSignalAction?

A.



B.



C.



D.



E.



A. Option A

B. Option B

C. Option C

D. Option D

E. Option E

Correct Answer: AC

QUESTION 4

What is true about guards on interaction operands?

A. must always cover all lifelines covered by the operand

B. should not refer to any dynamic variables, i.e., to attributes of the lifelines

C. must cover the same lifelines on all interaction operands within one combined fragment

D. must only cover one lifeline, namely the one lifeline having the first event occurrence of the interaction operand

Correct Answer: D

QUESTION 5

What kind of class is the Device class?

- A. Node
- B. Hardware
- C. Installation
- D. Association
- E. ExecutionEnvironment

Correct Answer: A

QUESTION 6

An encapsulated classifier is characterized by which fact?

- A. has an encapsulation shell
- B. can own one or more ports
- C. hides information from other classifiers
- D. acts as a package and can own one or more classifiers

Correct Answer: B

QUESTION 7

When either a message m or a message q is to be sent-but not both-what kind of operator for combined fragment would be used?

- A. opt
- B. alt
- C. var
- D. par
- E. break

Correct Answer: B

QUESTION 8

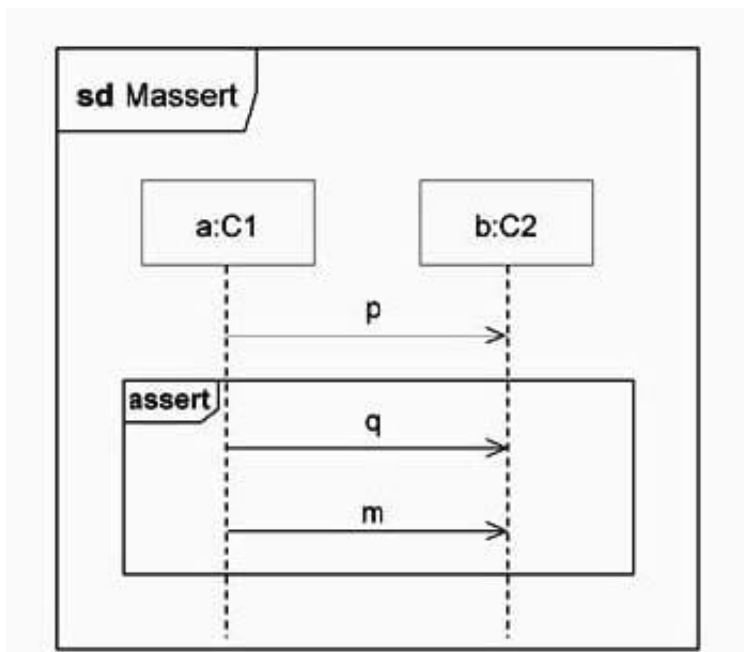
How many bar shapes can appear in a well-defined activity diagram?

- A. exactly two
- B. any number
- C. an odd number
- D. an even number

Correct Answer: B

QUESTION 9

In the exhibit, what is true for Massert?



- A. Following a message p, a message m would be valid.
- B. Following a message p, a message m would be invalid.
- C. A message q that occurs before a message p is invalid.
- D. A message p may come anywhere in the assert combined fragment.

Correct Answer: B

QUESTION 10

A protocol state machine can be used to describe which aspect of a component?

- A. internals of a component
- B. configuration of an assembly

- C. signal flow among connectors
- D. external contract of a component

Correct Answer: D

QUESTION 11

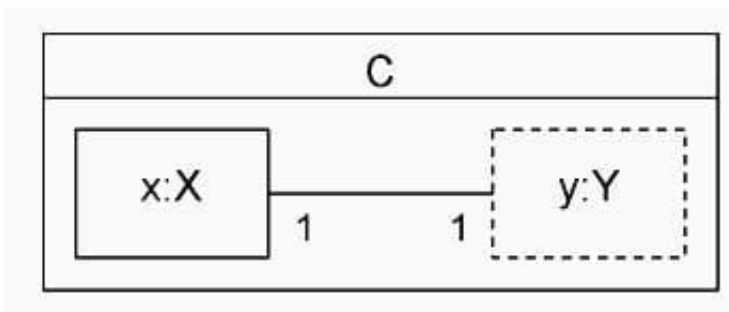
When an object invokes a ReadSelfAction, what will it retrieve?

- A. invoking object
- B. name of the invoking activity
- C. class name of the invoking object
- D. attribute values for the invoking object
- E. attribute values and links for the invoking object

Correct Answer: C

QUESTION 12

What are true about the composite structure exhibit? (Choose two)

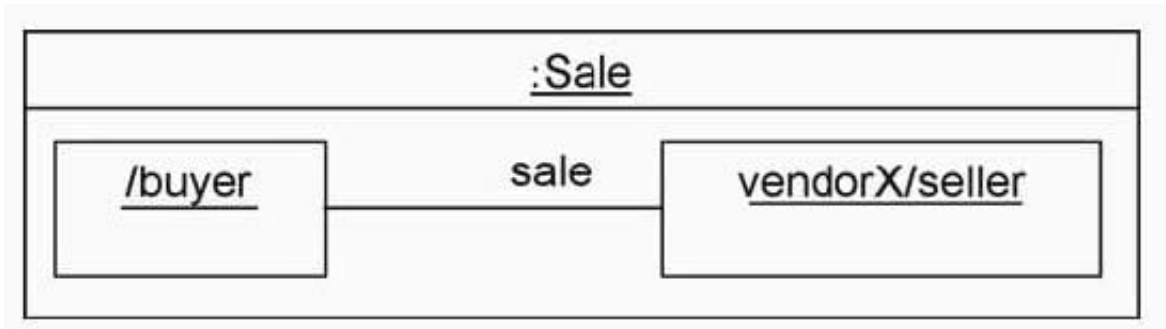


- A. C has one part.
- B. C has at least two properties.
- C. Every instance of X must be connected to an instance of Y.
- D. Every instance of Y must be connected to an instance of X.
- E. All instances corresponding to x and y will be destroyed when an instance of C is destroyed.

Correct Answer: AB

QUESTION 13

What is wrong with the Sale instance diagram shown in the exhibit?



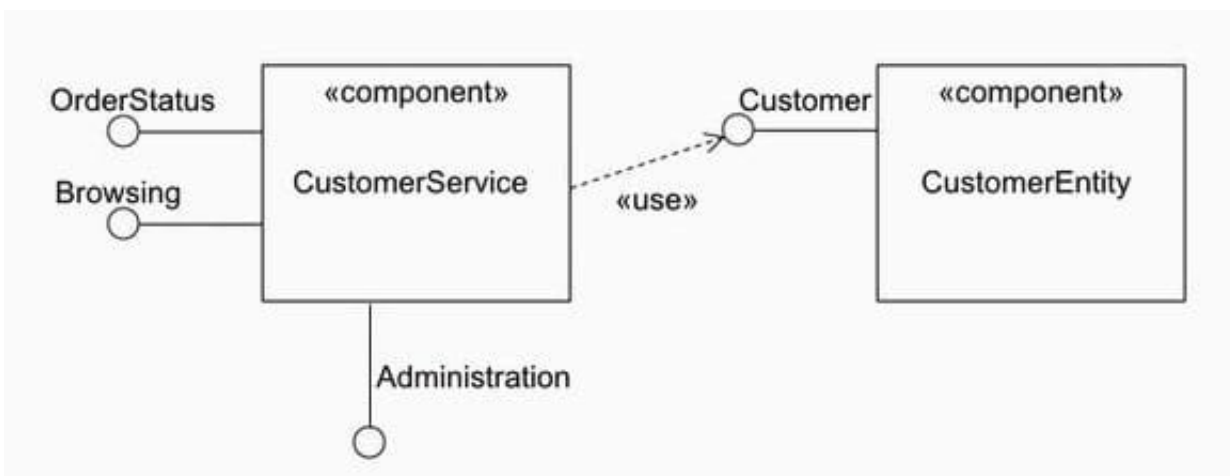
- A. Sale instance name is missing.
- B. buyer instance name is missing.
- C. Link name should be underlined.
- D. Link should be shown with a dashed line.
- E. Types of the buyer and seller parts are missing.

Correct Answer: C

QUESTION 14

Refer to the exhibit.

How many interfaces does the CustomerService component make visible to its clients?



- A. 0
- B. 1
- C. 2
- D. 3

E. 4

Correct Answer: D

QUESTION 15

What is the difference between a stereotype and a metaclass?

- A. Stereotypes can be specialized, but metaclasses cannot be specialized.
- B. Metaclasses can be specialized, but stereotypes cannot be specialized.
- C. A metaclass is a limited kind of a stereotype that can only be used in conjunction with one of the stereotypes it limits.
- D. A stereotype is a limited kind of a metaclass that can be only be used in conjunction with one of the metaclasses it extends.
- E. A stereotype is a specialization of a metaclass that can be used by itself, whereas a metaclass must be used with a stereotype.

Correct Answer: D

[Latest OMG-OCUP-200 Dumps](#)

[OMG-OCUP-200 PDF Dumps](#)

[OMG-OCUP-200 Study Guide](#)