

ATA^{Q&As}

Advanced Test Analyst

Pass ISTQB ATA Exam with 100% Guarantee

Free Download Real Questions & Answers **PDF** and **VCE** file from:

<https://www.pass2lead.com/ata.html>

100% Passing Guarantee
100% Money Back Assurance

Following Questions and Answers are all new published by ISTQB
Official Exam Center

- ⚙️ **Instant Download** After Purchase
- ⚙️ **100% Money Back** Guarantee
- ⚙️ **365 Days** Free Update
- ⚙️ **800,000+** Satisfied Customers



QUESTION 1

Analyzing the requirement, "The system shall allow cash advances of at least 200 Euros for all supported credit cards. The correct list of credit cards is American Express, Diners, VISA, Mastercard and Eurocard." There are arguments to be made for several test design techniques. Which of the following test design techniques is LEAST likely to be used for identifying test cases for the requirement? [K4] 3 credits

- A. Boundary value analysis
- B. Equivalence Partitioning
- C. Classification Tree Method
- D. State Transition Testing

Correct Answer: D

QUESTION 2

During the test execution defects are found on non-compliance to requirements, calculations that produce incorrect results, and improper handling of data or situations. Which of the following test types is most likely being performed? [K2] 1 credit

- A. Usability testing
- B. Interoperability testing
- C. Accuracy testing
- D. Suitability testing

Correct Answer: C

QUESTION 3

Ken, an entrepreneur in Leeds finds the quality of the tea locally available so low, that he decides to research superior teas around the world. He decides to market, sell and distribute these superior teas via the web. His market strategy is to offer superior products on a well-designed website with graphics that are fast to load, has high availability, superior usability and fast response times.

The website will offer the following:

-An innovative interactive catalogue of teas, which not only enables customers to buy the product, but also enables them to provide feedback by rating the teas (which will influence his stock purchasing levels)

Provide the customer with the ability to use secure credit card transactions Provide the customer to give

general feedback

Ken selects an iterative model for the development of the prototypes. The team consists of three developers that are experienced in web development. Ken, although he doesn't have technical skillset, is concerned with quality. He doesn't believe a lot of documentation is necessary and he wants the website to be completed quickly.

The test basis contains the following:

- Story boards that show the information flow and page links through the site
- HTML pages developed to date.
- A statement of non-functional requirements.

With the strategy taking shape, Ken asks your advice on the specific testing techniques that should be used to complete the required testing, bearing in mind the nature of the application and the nature of Ken's overall objectives.

How does phase containment contribute to reducing the cost of development? [K2] 1 credit

- A. By eliminating defects as early as possible to minimize defect propagation
- B. By ensuring that the deliverables from any life cycle phase are tested only in that phase
- C. By using specific test techniques at each level and only at that level
- D. By concentrating the testing effort on the phases where failures occur

Correct Answer: A

QUESTION 4

Your test team is currently executing interoperability testing. Consider the following excerpt from the failure description of an interoperability defect report:

Connect external camera to a Windows Vista PC.

Start the camera application on the PC. Application starts normally and recognizes connected camera.

Attempt to download the recorded data from the camera.

Data does not download.

Attempt to download the data three times. Data will not download.

Based on this information alone, which of the problems described hereafter exists in this defect report?

[K4] 3 credits

- A. Lack of structured testing
- B. Inadequate classification information
- C. Insufficient isolation
- D. Poorly documented steps to reproduce

Correct Answer: B

QUESTION 5

A new web site must operate correctly with different browsers (Internet Explorer, Google Chrome, Firefox, Netscape, Mozilla), using different plug-ins (Realplayer, Mediaplayer), will be receiving pages from different servers (IIS, Apache and WebLogic) and will be running on various server operation systems (windows 2007, XP, Linux)

Which of the following test techniques will you use to test this new web site in its various environments?

[K4] 3 credits

- A. pairwise testing
- B. exploratory testing
- C. use case testing
- D. decision table testing

Correct Answer: A

QUESTION 6

As a test analyst you are gathering data to support accurate metrics. Which of the following metrics would be MOST appropriate to use to monitor product quality? [K2] 1 credit

- A. Defects found versus defects expected
- B. Tests run and tests passed
- C. Test resources spent versus budget
- D. Compliance to entry criteria
- E. Product risks outstanding and new risks introduced

Correct Answer: ABE

QUESTION 7

How do user stories and testing relate in an agile project? [K2] 1 credit

- A. User stories provide the flow of events which are to be used by the tester to define test cases.
- B. User stories provide the user requirement and acceptance criteria being two important inputs for the tester.
- C. The tester will typically gather and document the user stories, and use them for testing.
- D. User stories drive the regression test.

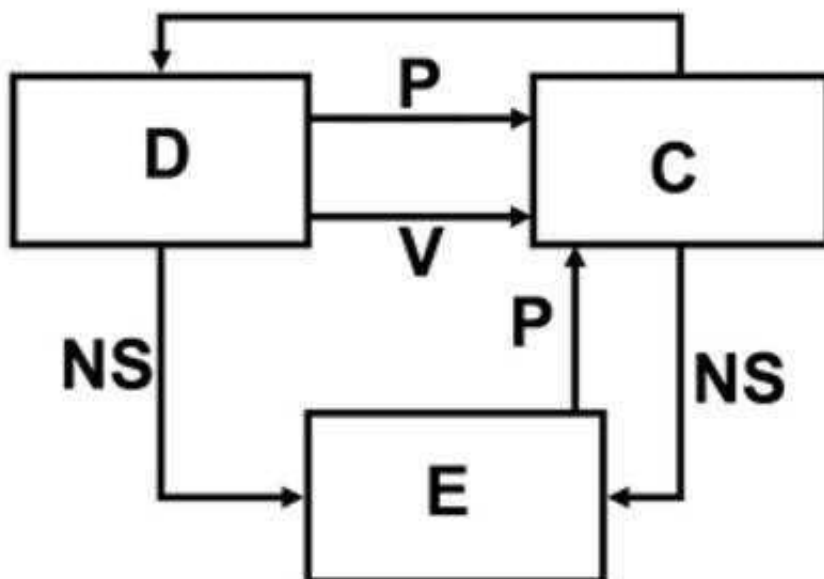
Correct Answer: B

QUESTION 8

Using the state diagram (based on the "Route Calculation"), how many test cases are needed to achieve 1-switch coverage?

	Position	Velocity	Updated	No Signal
Displaying	Calculating	Calculating	-	Error
Calculating	-	-	Displaying	Error
Error	Calculating	-	-	-

U



[K3] 3 credits

- A. 9
- B. 10
- C. 11
- D. 12

Correct Answer: D

QUESTION 9

For a tax system the earnings 4.000 are tax free, the following 1.500 are charged at 10%, the following 28.000 at 20% and the remainder above 40%. All values are rounded to 1.

What test case could result from a boundary value analysis? [K3] 2 credits

- A. 1500
- B. 33501
- C. 4499
- D. 28001

Correct Answer: B

QUESTION 10

You are applying pairwise testing and using orthogonal arrays. The following steps are all part of the process to be followed. i) Determine the number of choices for each variable ii) Map the test problem onto the orthogonal array iii) Construct the test cases iv) Identify the variables v) Locate an appropriate orthogonal array

What is the correct order of the above mentioned process steps? [K3] 2 credits

- A. i, ii, iv, v, iii
- B. iv, ii, v, iii, i
- C. iv, i, iii, v, ii
- D. iv, i, v, ii, iii

Correct Answer: D