

E05-001^{Q&As}

Information Storage and Management v3

Pass EMC E05-001 Exam with 100% Guarantee

Free Download Real Questions & Answers **PDF** and **VCE** file from:

<https://www.pass2lead.com/e05-001.html>

100% Passing Guarantee
100% Money Back Assurance

Following Questions and Answers are all new published by EMC
Official Exam Center

-  **Instant Download** After Purchase
-  **100% Money Back** Guarantee
-  **365 Days** Free Update
-  **800,000+** Satisfied Customers



QUESTION 1

What is a benefit when a node is added to a scale-out NAS cluster?

- A. Increased cluster performance
- B. Reduced capital expenditure
- C. Simplified cluster management
- D. Decreased data duplication

Correct Answer: B

QUESTION 2

Which action takes place during the login phase in an FCoE SAN?

- A. VN_Ports obtain FC addresses
- B. Nodes locate the Fibre Channel Forwarder
- C. Initialization protocol starts transporting FC data
- D. VN_Port to N_Port pairing is established

Correct Answer: A

QUESTION 3

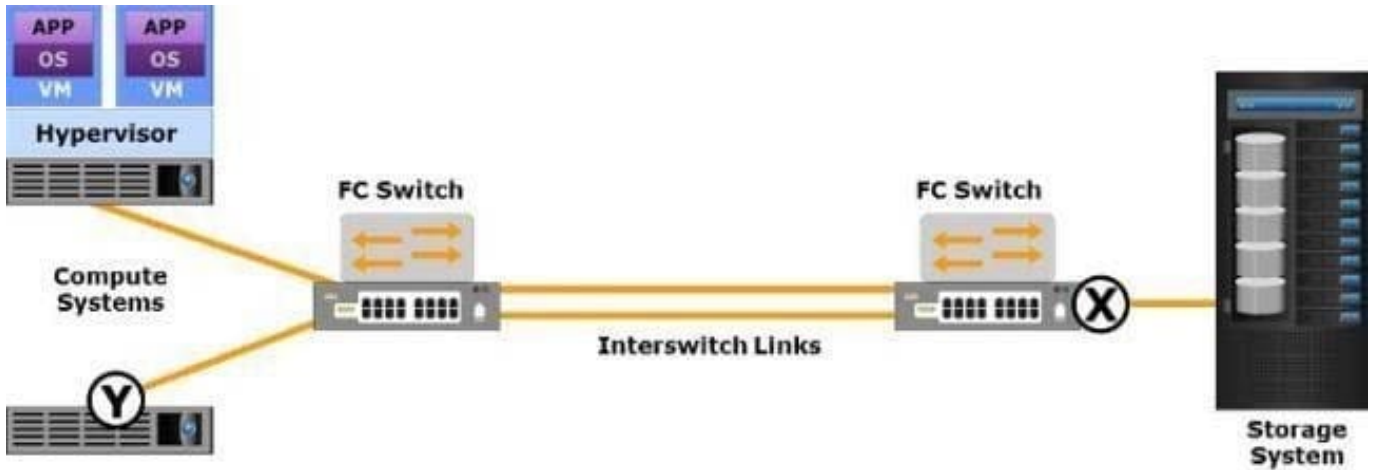
Which EMC product enables management for Vblock systems?

- A. Unified Infrastructure Manager
- B. MirrorView
- C. Service Assurance Suite
- D. ViPR SRM

Correct Answer: A

QUESTION 4

Which type of Fibre Channel (FC) ports do the labels "X" and "Y" represent in the exhibit?



- A. X is an E_Port and Y is an N_Port
- B. X is an F_Port and Y is an E_Port
- C. X is an F_Port and Y is an F_Port
- D. X is an N_Port and Y is an N_Port

Correct Answer: D

QUESTION 5

What is an accurate statement about the Network File System (NFS) protocol?

- A. Provides a set of remote procedure calls to access a remote file system
- B. Uses the server message block protocol to provide file locking capability
- C. Translates block I/O requests from a file system into object-level requests
- D. Automatically scales the file systems on clients as the workload increases

Correct Answer: A

QUESTION 6

Which method does an intrusion detection and prevention system (IDPS) use to identify intrusions by scanning and analyzing events to detect if they are statistically different from normal events?

- A. Anomaly-based
- B. Signature-based
- C. Profile-based
- D. Device-based

Correct Answer: A

QUESTION 7

What is a benefit of link aggregation in a SAN?

- A. Provides a higher throughput than a single interswitch link can provide
- B. Distributes the network traffic across all virtual SANs, ensuring even virtual SAN utilization
- C. Optimizes performance by consolidating all interswitch links into a single physical link
- D. Provides the flexibility to deploy the same interswitch links for both FC and iSCSI traffic

Correct Answer: A

QUESTION 8

Which EMC product provides a software-defined storage platform that supports object storage services?

- A. Elastic Cloud Storage
- B. ViPR Controller
- C. ScaleIO
- D. XtremIO

Correct Answer: A

QUESTION 9

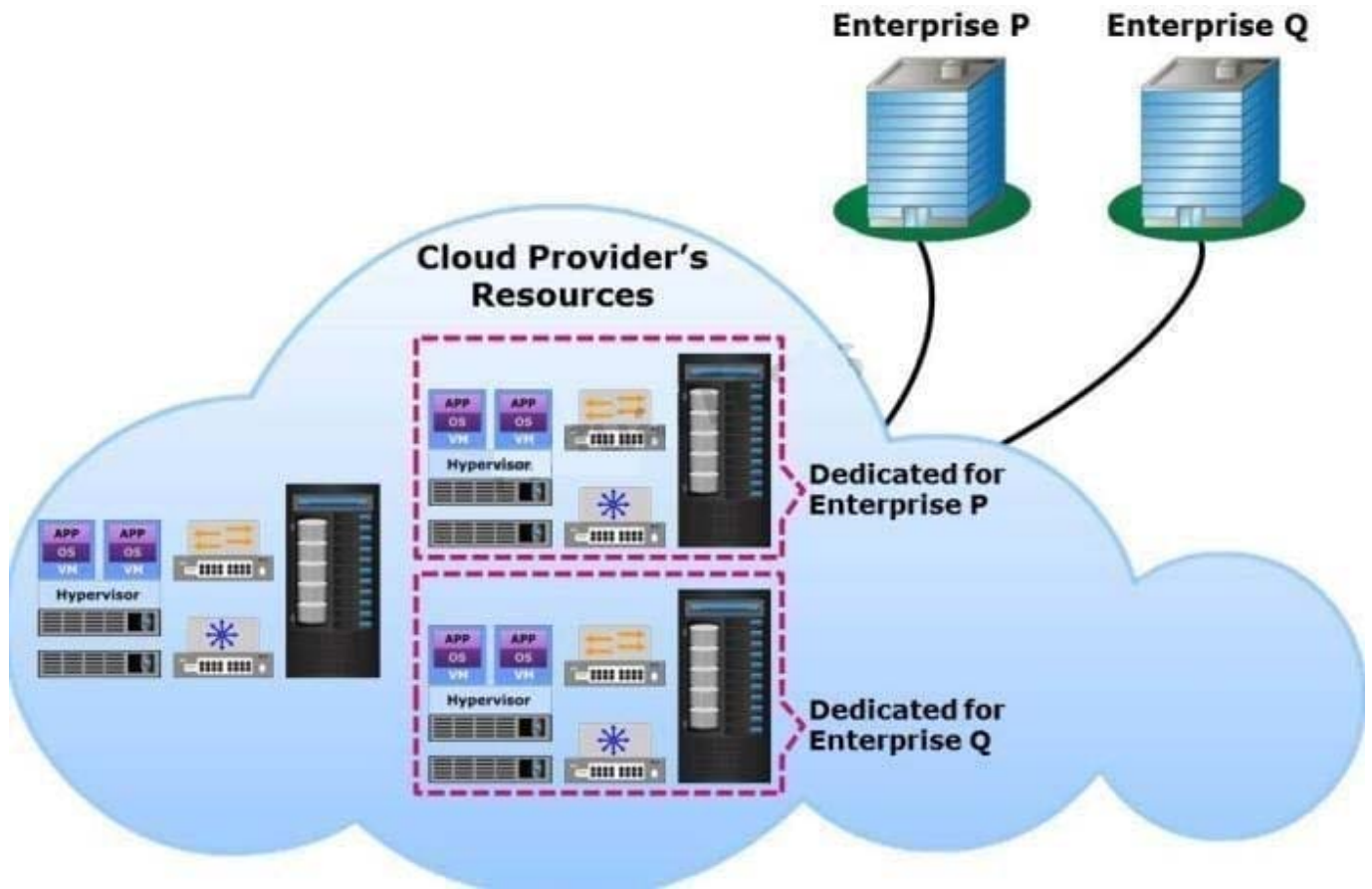
What is an example of an active attack on an IT infrastructure?

- A. Attempt to modify information for malicious purposes
- B. Attempt to copy the data from the storage system
- C. Attempt to gain unauthorized access into the system
- D. Attempt to gain access to the data in transit

Correct Answer: A

QUESTION 10

A service provider is offering cloud services to Enterprise P and Enterprise Q.



Which cloud deployment model does the exhibit represent?

- A. Externally-hosted private cloud
- B. On-premise community cloud
- C. Public cloud
- D. Externally-hosted community cloud

Correct Answer: A

QUESTION 11

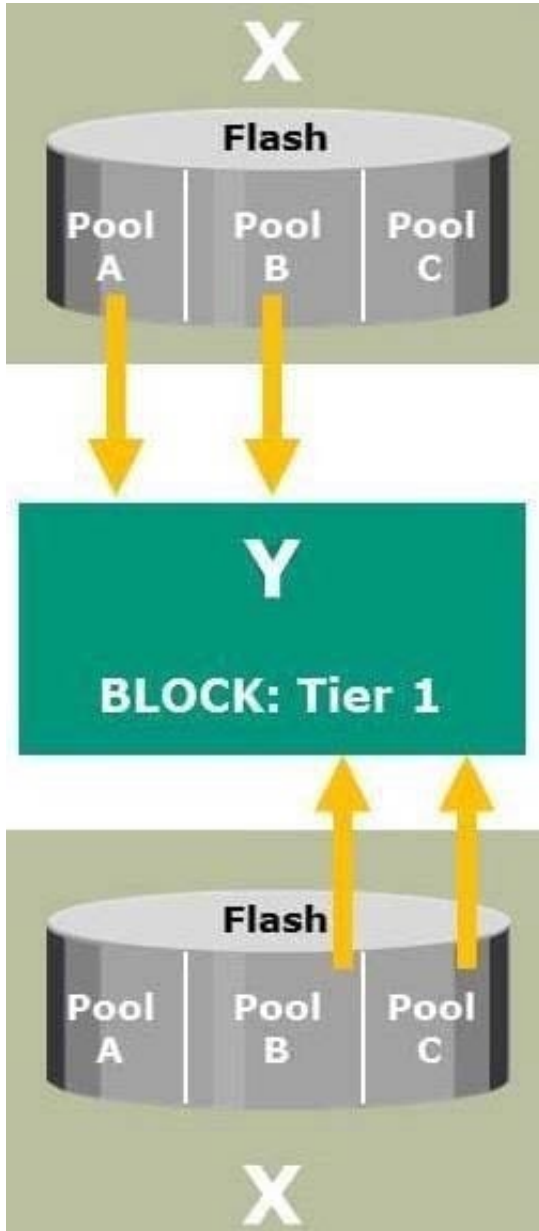
What is a function of the FC-1 layer of the Fibre Channel (FC) protocol stack?

- A. Defines data encoding
- B. Provides FC addressing
- C. Defines the physical interface
- D. Maps upper layer protocols to FC layers

Correct Answer: A

QUESTION 12

The exhibit illustrates a software-defined storage environment. What do the labels "X" and "Y" represent in the exhibit?



- A. X is a virtual storage system and Y is a virtual storage pool
- B. X is a virtual storage pool and Y is a virtual storage system
- C. X is a physical storage pool and Y is a virtual storage system
- D. X is a virtual storage pool and Y is a physical storage system

Correct Answer: A

QUESTION 13

An application generates 4200 small random I/Os at peak workloads with a read/write ratio of 2:1. What is the disk load at peak activity for a RAID 6 configuration?

- A. 2800
- B. 5600
- C. 8400
- D. 11200

Correct Answer: D

QUESTION 14

Which elements are associated with an object in an object-based storage system?

- A. Data, metadata, object ID, and attributes
- B. LUN ID, data, metadata, and object ID
- C. Metadata, object ID, attributes, and file path
- D. Object ID, attributes, LUN ID, and file path

Correct Answer: A

QUESTION 15

What maps the logical path of a file system to its physical path in a file-level virtualization implementation?

- A. Global namespace
- B. Remote procedure call
- C. Distributed file system
- D. Cache coherency

Correct Answer: A

[E05-001 PDF Dumps](#)

[E05-001 Practice Test](#)

[E05-001 Exam Questions](#)