

# HPE6-A41<sup>Q&As</sup>

Applying Aruba Switching Fundamentals for Mobility

**Pass HP HPE6-A41 Exam with 100% Guarantee**

Free Download Real Questions & Answers **PDF** and **VCE** file from:

<https://www.pass2lead.com/hpe6-a41.html>

100% Passing Guarantee  
100% Money Back Assurance

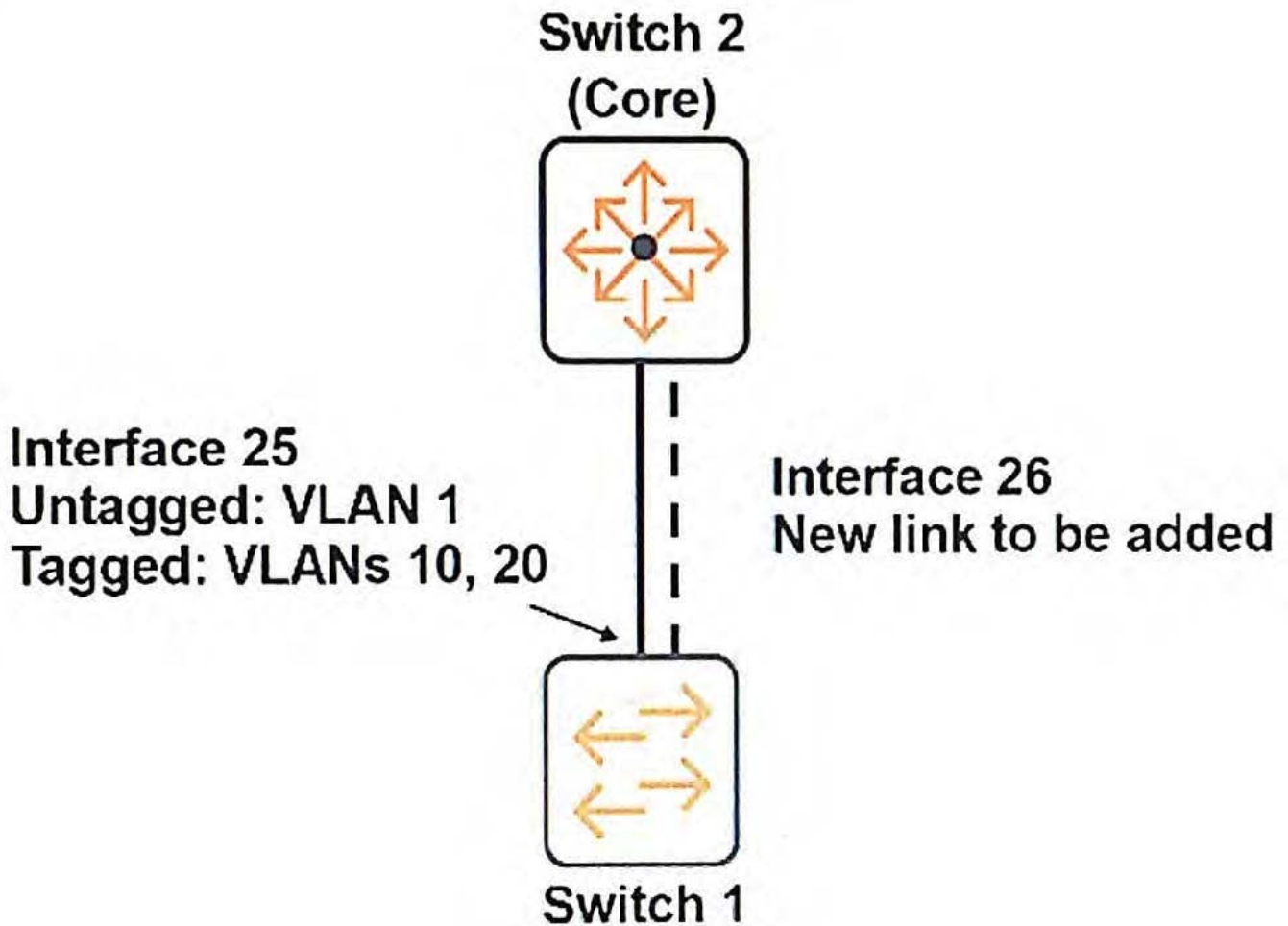
Following Questions and Answers are all new published by HP Official Exam Center

-  **Instant Download** After Purchase
-  **100% Money Back** Guarantee
-  **365 Days** Free Update
-  **800,000+** Satisfied Customers



**QUESTION 1**

Refer to the exhibit.



Switch 1 shown in the exhibit is an ArubaOS switch that has an uplink to the network core on interface 25. The network administrator wants to add a link on interface 26. The administrator creates a link aggregation with this command:

```
Switch1 (config)# trunk 25-26 trk1 lacp
```

What else must the administrator do to enable the Switch 1 link aggregation to successfully pass all traffic to the core?

- A. Configure VLANs 10 and 20 as tagged VLANs on interface 26.
- B. Configure VLANs 10 and 20 as tagged VLANs on trk1.
- C. Enable BPDU filtering on interface 26.
- D. Enable LACP in active or passive mode on interfaces 25 and 26.

Correct Answer: A

---

#### QUESTION 2

A network administrator has copied new software to an ArubaOS switch and placed this software in the secondary flash location. The switch is currently booting from the primary location. The administrator wants the switch to start using the new software.

What should the administrator do to accomplish this?

- A. Reboot the switch, which automatically causes the switch to use the newer software.
- B. Execute the command to boot the system from the secondary flash.
- C. Rename the secondary software as the primary software.
- D. Copy the secondary software to the primary software slot.

Correct Answer: B

---

#### QUESTION 3

A network administrator wants to see the VLANs supported on one ArubaOS switch interface and if those VLANs have tagged or untagged assignments. What should the administrator do to find this information?

- A. View the MAC forwarding table for the interface and VLAN with the show mac-address command.
- B. Use the detail option with the show vlans port command.
- C. Use the local-device option with the show lldp info command.
- D. View the interface with the show interface command.

Correct Answer: B

---

#### QUESTION 4

A network administrator wants to use Aruba AirWave to manage Aruba 3810 Series switches deployed at the campus access layer. How does AirWave determine which configuration template to apply to these switches?

- A. based on their group
- B. based on their lowest level subfolder
- C. based on their top level folder
- D. based on the global group associated with their group

Correct Answer: D

---

**QUESTION 5**

What is a requirement for links to successfully participate in an aggregated link?

- A. that links have the spanning tree protocol disabled
- B. that links use the same speed and duplex mode
- C. that links use the same media type and are untagged
- D. that links are untagged and are associated to the same VLAN

Correct Answer: B

**QUESTION 6**

Refer to the exhibit.

```
Switch# show config files
Configuration files:
  id | act pri sec | name
-----+-----+-----+-----+-----
  1 | *   *   *   | config1
  2 |     |     |     | config2
  3 |     |     |     |
```

A network administrator views the configuration files on an ArubaOS switch and sees the output in the exhibit. The administrator enters this command: Switch# boot system flash primary config config2

After the switch boots, the administrator makes some configuration changes and saves the configuration with the write memory command. The administrator then enters this command: Switch# boot

After the switch boots, the configuration changes just made are not present.

How can the administrator restore the configuration with the changes?

- A. Use the boot set-default command to configure the switch to use the secondary software. Then reboot the switch.
- B. Reboot the switch and interrupt the boot process. Find the temporary file with the configuration changes and apply that file to the startup-config.
- C. Rename the config2 file to config1. Then reboot the switch.
- D. Use the startup-default command to configure the switch to use the config2 file with the primary software. Then

reboot the switch.

Correct Answer: D

---

#### QUESTION 7

What does the traceroute command that is entered on an ArubaOS switch identify?

- A. each physical device between the switch and a destination
- B. the path to each router connected to the switch
- C. each Layer 3 device between the switch and a destination
- D. debug output tracing entries to the routing table

Correct Answer: C

---

#### QUESTION 8

What is the relationship between a wireless client's data rate and the throughput for the client's traffic?

- A. The throughput is 90 percent of the data rate.
- B. The throughput is equal to the data rate multiplied by the connection time, minus the headers' bytes.
- C. The throughput is less than the data rate and also depends on factors such as number of clients in the cell.
- D. The data rate and the throughput are equivalent.

Correct Answer: B

---

#### QUESTION 9

A network administrator wants to deploy Aruba Instant APs (IAPs) at a remote site that does not have Internet access. The APs should receive their configuration automatically from AirWave by using Zero Touch Provisioning (ZTP). What does the administrator need to configure?

- A. the name and password of a user with full administrative rights to AirWave
- B. the name of the AirWave VLAN with the configuration that the APs should use
- C. the DHCP server configured with options 43 and 60 for ZTP
- D. the IP address for the DNS server with the mapping for the airwave hostname

Correct Answer: C

---

#### QUESTION 10

Which privilege level would a network administrator use to configure an ArubaOS switch?

- A. Administrator
- B. Manager
- C. Super
- D. User

Correct Answer: B

**QUESTION 11**

A network administrator plans two interfaces for a Virtual Switching Framework (VSF) link. Which best practice should the administrator follow?

- A. Configure a low spanning tree cost on the interfaces.
- B. Configure the interfaces as a distributed trunk.
- C. Use interfaces on different modules.
- D. Use copper connections.

Correct Answer: C

**QUESTION 12**

Refer to the exhibit.

```
Switch# show lacp
```

			LACP				
<u>Port</u>	<u>LACP Enabled</u>	<u>Trunk Group</u>	<u>Port Status</u>	<u>Partner</u>	<u>LACP Status</u>	<u>Admin Key</u>	<u>Oper Key</u>
A1	Active	Trk2	Up	Yes	Success	0	963
A2	Active	Trk2	Blocked	Yes	Failure	0	963

Which issue could cause the Blocked status on A2?

- A. A1 and A2 are connected to different switches.
- B. A1 and A2 use different trunk load balancing modes.
- C. A1 and A2 support different VLANs.
- D. A1 and A2 have spanning tree enabled on the link aggregation.

Correct Answer: D

**QUESTION 13**

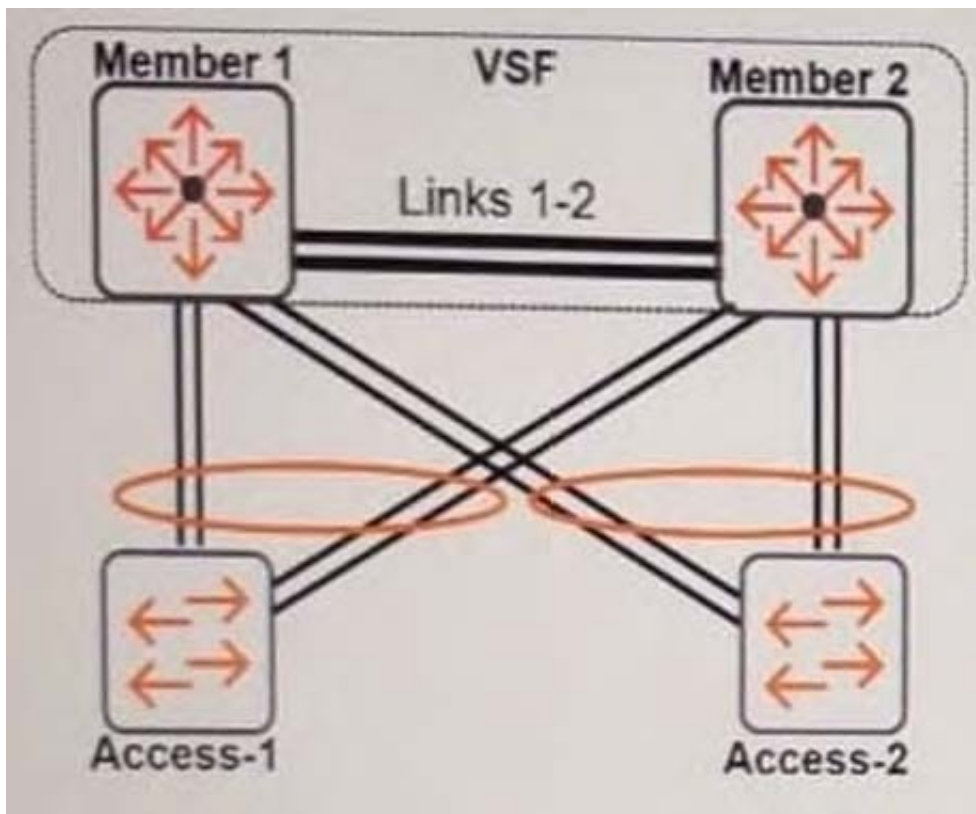
How can a network administrator configure an ArubaOS switch to automatically assign the correct tagged VLANs to a port when an Aruba AP connects to that port?

- A. Configure the tagged VLANs in the device profile and apply that profile to the port.
- B. Configure a MAC-to-VLAN mapping policy and enable MAC-based VLANs on the port.
- C. Enable Zero Touch Provisioning (ZTP) on the switch.
- D. Enable LLDP MED globally and on the switch port.

Correct Answer: A

**QUESTION 14**

Refer to the exhibit.



Which feature should the network administrator configure on the Virtual Switching Framework (VSF) fabric to prevent issues if Links 1 and 2 fail?

- A. Graceful OSPF (non-stop forwarding)
- B. Multi-Active Detection (MAD)
- C. Distributed trunking

D. Virtual Router Redundancy Protocol (VRRP)

Correct Answer: B

---

**QUESTION 15**

A network administrator creates a local user account and assigns that account to the Level-9 authorization group. The administrator tests the group assignment and is able to successfully log in with the local user credentials. However, the administrator is able to enter all the commands rather than only the commands permitted by the Level-9 group.

How can the administrator resolve this issue?

- A. Set an operator password.
- B. Set the command access level to enable.
- C. Set the command access level to all.
- D. Set command authorization to local.

Correct Answer: D

[HPE6-A41 Practice Test](#)

[HPE6-A41 Exam Questions](#)

[HPE6-A41 Braindumps](#)