

HPE6-A73^{Q&As}

Aruba Certified Switching Professional

Pass HP HPE6-A73 Exam with 100% Guarantee

Free Download Real Questions & Answers **PDF** and **VCE** file from:

<https://www.pass2lead.com/hpe6-a73.html>

100% Passing Guarantee
100% Money Back Assurance

Following Questions and Answers are all new published by HP Official Exam Center

-  **Instant Download** After Purchase
-  **100% Money Back** Guarantee
-  **365 Days** Free Update
-  **800,000+** Satisfied Customers



QUESTION 1

Which AOS-CX switches support weighted fair queuing (WFQ)?

- A. Both 8320 and 8325
- B. Both 6300 and 6400
- C. 8400 only
- D. 6300 only

Correct Answer: C

Explanation: https://www.arubanetworks.com/techdocs/AOS-CX/AOS-CX-CLI-Bank/cli_8400/Content/QoS_cmds/wfq-que-xl-swi.htm

QUESTION 2

In AOS-CX switching, what determines when a frame is forwarded by the switch between the ingress and the egress port?

- A. Egress port
- B. Ingress port
- C. VSX switch tables
- D. Fabric Load Balancer

Correct Answer: B

QUESTION 3

A company requires access by all users, guests, and employees to be authenticated.

Employees will be authenticated using 802.1X, whereas guests will be authenticated using captive portal.

Which type of authentication must be configured on an AOS-CX switch ports where both guests and employees connect?

- A. Both 802.1X and captive portal
- B. 802.1X only
- C. Both 802.1X and MAC-Auth
- D. 802.1X, captive portal, and MAC-Auth

Correct Answer: C

Explanation: Employees use 802.1x

The Aruba guest solution uses MAC-auth.

The Portal is not configured on the switch port.

QUESTION 4

A company has a few servers in a secure, remote location storing highly-confidential documents connected to two AOS-CX 6400 switches configured in a VSX pair. The AOS-CX switches perform access control with 802.1X and will be implementing user-based tunneling (UBT) so that Aruba gateway application inspection and stateful firewall policies can be applied to the traffic. The gateways are running version 84 and implement the AP, PEF, and RFP licenses.

Which licensing is needed for the two AOS-CX switches?

- A. 2 AP and 2 PEF licenses only
- B. 1 AP license only
- C. 2 AP, 2 PEF, and 2 RFP licenses only
- D. 1 AP, 1 PEF, and 1 RFP licenses only

Correct Answer: D

QUESTION 5

An administrator of a company has concerns about upgrading the access layer switches.

The users rely heavily on wireless and VoIP telephony. Which is the best recommendation to ensure a short downtime for the users during upgrading the access layer switches?

- A. Install the in-service software upgrade (ISSU) feature with clustering enabled
- B. Install AOS-CX 6300 or 6400 switches with always-on POE
- C. Implement VSF on the AOS-CX access switches
- D. Implement VSX on the AOS-CX access switches

Correct Answer: B

Explanation: The key is to reduce the impact. VSF or not will have same impact when the switch reboots. But if the switch support always on poe then at least the POE clients will be ready before the switch finish booting up. If you dont have always on POE, then the poe clients will reboot AFTER the switch boots up.

QUESTION 6

An administrator is managing a network comprised of AOS-CX switches deployed at the aggregation layer. The

switches are paired in a VSX stack and run the OSPF routing protocol. The administrator is concerned about how long it takes for OSPF to converge when one of the VSX switches has to reboot.

What should the administrator do to speed up the OSPF convergence of the switch that is rebooting?

- A. Change the VSXISL link from an OSPF broadcast link point-to-point.
- B. Implement graceful restart on the VSX switches and their neighboring OSPF switches.
- C. Decrease the VSX initial synchronization timer on the two VSX switches.
- D. Define non-backbone areas on the VSX switches as totally stubby areas.

Correct Answer: B

QUESTION 7

Which AOS-CX feature is used to prevent head-on-line (HOL) blocking?

- A. VSF
- B. WFQ
- C. VOQ
- D. VSX

Correct Answer: C

QUESTION 8

How should a network administrator add NAE scripts and implement NAE agents that will run on an AOS-CX switch?

- A. Use the web interface of the NetEdit server
- B. Use the web interface of the AOS-CX switch
- C. Use the web interface of Aruba Central
- D. Use the CLI of the AOS-CX switch

Correct Answer: B

QUESTION 9

A company is implementing AOS-CX switches at the access layer. The company wants to implement access control for employees and guests.

Which security features will require a ClearPass server to be installed and used by the company?

- A. Downloadable user roles

- B. Dynamic segmentation
- C. User-based tunneling (UBT)
- D. Change of authorization (CoA)

Correct Answer: A

QUESTION 10

An administrator is implementing a multicast solution in a multi-VLAN network. Which statement is true about the configuration of the switches in the network?

- A. IGMP snooping must be enabled on all interfaces on a switch to intelligently forward traffic
- B. IGMP requires join and leave messages to graft and prune multicast streams between switches
- C. IGMP must be enabled on all routed interfaces where multicast traffic will traverse
- D. IGMP must be enabled on all interfaces where multicast sources and receivers are connected

Correct Answer: C

QUESTION 11

A network has two AOS-CX switches connected to two different service providers. The administrator is concerned about bandwidth consumption on the service provider links and learned that the service providers were using the company as a transit AS.

Which feature should the administrator implement to prevent this situation?

- A. Configure route maps and apply them to BGP
- B. Configure the two switches as route reflectors
- C. Configure a classifier policy to disable MED
- D. Configure bi-directional forwarding detection on both switches

Correct Answer: A

QUESTION 12

A company has just purchased AOS-CX switches. The company has a free and open- source AAA solution.

The company wants to implement access control on the Ethernet ports of the AOS-CX switches.

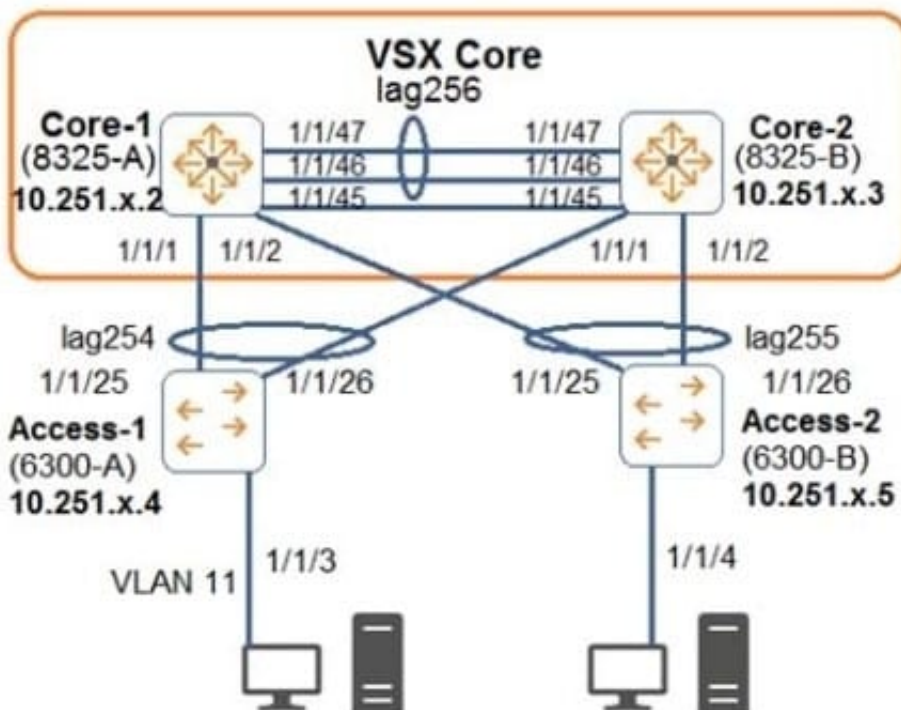
Which security features can the company implement given the equipment that they are using?

- A. Port-based tunneling
- B. Device fingerprinting
- C. Local user roles
- D. Downloadable user roles

Correct Answer: C

QUESTION 13

Examine the attached diagram.



The two PCs are located in VLAN 11 (10.1.11.0/24). Which example defines how to implement active gateway on the VSX core for VLAN 11?

- A. interface vlan 11 active-gateway ip 10.1.11.1 active-gateway mac 02:02:00:00:01:00
- B. interface lag 254 active-gateway vlan 11 ip 10.1.11.1 active-gateway vlan 11 mac 02:02:00:00:01:00
- C. interface lag 254 active-gateway ip 10.1.11.1 active-gateway mac 02:02:00:00:01:00
- D. vsx vrrp group 1

Correct Answer: A

QUESTION 14

What is correct regarding policy-based routing?

- A. Policies can only be applied to routed interfaces.
- B. Policies can be applied inbound and outbound.
- C. Monitoring of policy interfaces occurs every 60 seconds.
- D. Policy actions include routing permitting or dropping traffic.

Correct Answer: A

QUESTION 15

A network administrator needs to replace an antiquated access layer solution with a modular solution involving AOS-CX switches. The administrator wants to leverage virtual switching technologies. The solution needs to support high-availability with dual-control planes.

Which solution should the administrator implement?

- A. AOS-CX 8325
- B. AOS-CX 6300
- C. AOS-CX 6400
- D. AOS-CX 8400

Correct Answer: C

Reference: <https://andovercg.com/datasheets/aruba-cx-8325-switch-series.pdf>

[Latest HPE6-A73 Dumps](#)

[HPE6-A73 Study Guide](#)

[HPE6-A73 Braindumps](#)