

# HPE6-A75<sup>Q&As</sup>

Aruba Certified Edge Professional Exam

**Pass HP HPE6-A75 Exam with 100% Guarantee**

Free Download Real Questions & Answers **PDF** and **VCE** file from:

<https://www.pass2lead.com/hpe6-a75.html>

100% Passing Guarantee  
100% Money Back Assurance

Following Questions and Answers are all new published by HP Official Exam Center

-  **Instant Download** After Purchase
-  **100% Money Back** Guarantee
-  **365 Days** Free Update
-  **800,000+** Satisfied Customers



**QUESTION 1**

Refer to the exhibit.

Configuration » Authentication » Sources » Add - remotelab AD

**Authentication Sources - remotelab AD**

Summary	General	Primary	Attributes
Specify filter queries used to fetch authentication and authorization attributes			
Filter Name	Attribute Name	Alias Name	Enabled As
1. Authentication	dn	UserDN	-
	department	Department	Role, Attribute
	title	Title	Attribute
	company	company	-
	memberOf	memberOf	Role, Attribute
	telephoneNumber	Phone	Attribute
	mail	Email	Attribute

Exhibit: accp67-312

Based on the Attribute configuration shown, which statement accurately describes the status of attribute values?

- A. Only the attribute values of department and memberOf can be used in role mapping policies.
- B. The attribute values of department, title, memberOf, telephoneNumber, and mail are directly applied as ClearPass.
- C. Only the attribute value of company can be used in role mapping policies, not the other attributes.
- D. The attribute values of department and memberOf are directly applied as ClearPass roles.
- E. Only the attribute values of title, telephoneNumber, and mail can be used in role mapping policies.

Correct Answer: D

**QUESTION 2**

Refer to the exhibit.

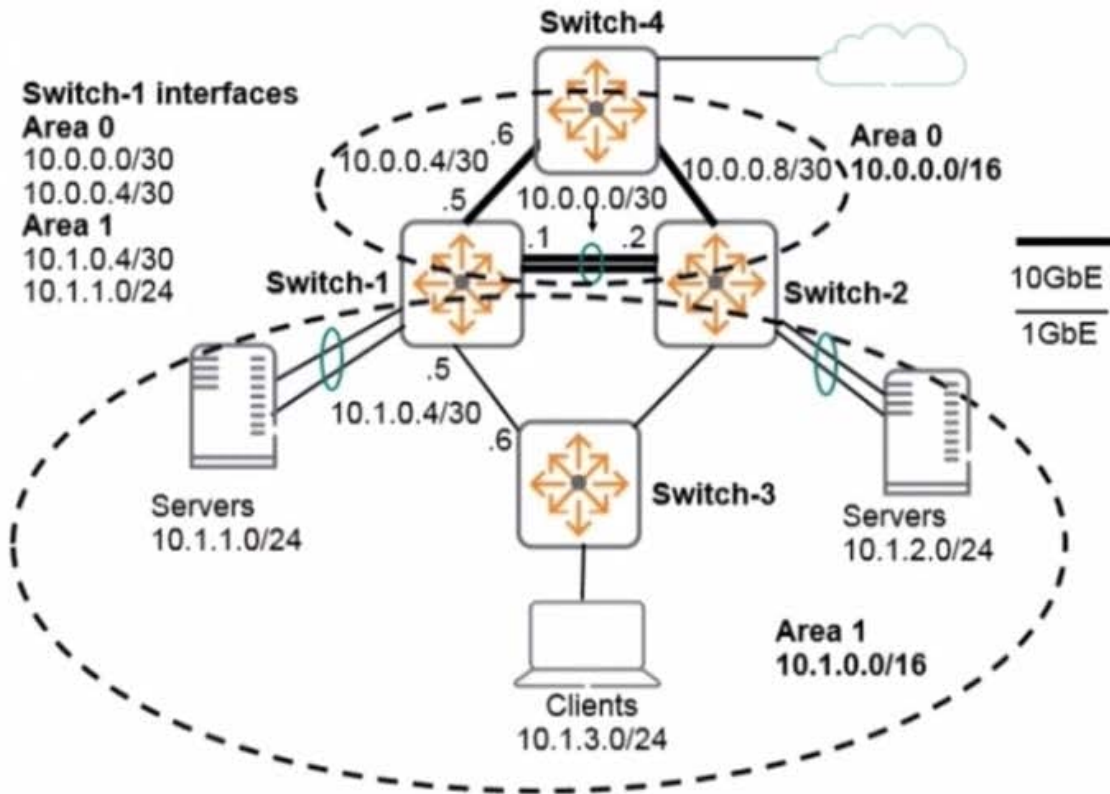


Exhibit 2

```
Switch-1# show ip route  
IP Route Entries
```

Destination	Gateway	VLAN	Type	Sub-Type	Metric	Dist.
10.0.0.0/30	VLAN1000	1000	connected		5	0
10.0.0.4/30	VLAN1004	1004	connected		10	0
10.0.0.8/30	10.0.0.2	1000	ospf	IntraArea	15	110
10.1.0.4/30	VLAN104	104	connected		100	0
10.1.0.8/30	10.1.0.6	104	ospf	IntraArea	200	110
10.1.0.8/30	10.1.0.6	104	ospf	IntraArea	200	110
10.1.1.0/24	VLAN110	110	connected		50	0
10.1.2.0/24	10.1.0.6	104	ospf	IntraArea	250	110
10.1.3.0/24	10.1.0.6	104	ospf	IntraArea	200	110
10.2.0.0/16	10.0.0.6	1004	ospf	InterArea	110	110
10.3.0.0/16	10.0.0.6	1004	ospf	InterArea	110	110
127.0.0.0/8	reject		static		0	0
127.0.0.1/32	lo0		connected		1	0

```
Switch-1# show ip ospf neighbor  
OSPF Neighbor Information
```

Router ID	Pri	IP Address	NbIfState	State	QLen	Events	Status
2.2.2.2	1	10.0.0.2	BDR	FULL	0	6	None
3.3.3.3	1	10.1.0.6	BDR	FULL	0	6	None
4.4.4.4	1	10.0.0.6	BDR	FULL	0	6	None

Traffic between the servers in Area 1 takes a less optimal path rather than the link associated with VLAN 1000, subnet 10.0.0.0/30. Based on the exhibits, why is this the case?

- A. The metric on the VLAN 1000 interface is too low.
- B. Switch-1 and Switch-2 cannot achieve adjacency on VLAN 1000 due to mismatches.
- C. OSPF routing switches choose the best intra-area routes based on Area 1 links only.
- D. The link between Switch-1 and Switch-2 has gone down.

Correct Answer: C

**QUESTION 3**

An administrator implements a standalone controller that runs ArubaOS 8.x. Which feature should the administrator configure to optimize the RF operation for the company's WLAN?

- A. AirMatch
- B. Clustering
- C. ARM
- D. Zones

Correct Answer: A

---

**QUESTION 4**

A company has AOS-Switches deployed at sites with inexperienced IT staff. The main office network administrators want to track if configurations change on branch switches.

What should be set up for this purpose?

- A. an SNMP trap
- B. an RMON alarm
- C. an auto-config server
- D. an IP SLA profile

Correct Answer: A

---

**QUESTION 5**

Refer to the exhibit.

```
Switch-1# show link-keepalive

Status and Configuration - UniDirectional Link Detection (UDLD)

Keepalive Retries      : 4
Keepalive Interval    : 5000 ms
Keepalive Mode        : forward-then-verify

Port   Enabled   Physical      Keepalive Adjacent      UDLD
-----  -----  -
A23   Yes       up           failure   00fd45-653ae9  untagged
```

Switch-1 and Switch-2 connect on interface A23. The switches experience a connectivity issue. The network administrator sees that both switches show this interface as up. The administrator sees the output shown in the exhibit on Switch-1.

What is a typical issue that could cause this output?

- A. a hardware issue, such as a broken cable
- B. asymmetric routing introduced by a routing configuration error
- C. an issue with queuing, caused by mismatched QoS settings
- D. mismatched IP addresses on the VLAN for the link

Correct Answer: A

**QUESTION 6**

Refer to the exhibit.

**Enforcement Policies - Enterprise Enforcement Policy**

Summary	Enforcement	Rules
<b>Enforcement:</b>		
Name:	Enterprise Enforcement Policy	
Description:	Enforcement policies for local and remote employees	
Enforcement Type:	RADIUS	
Default Profile:	[Deny Access Profile]	
<b>Rules:</b>		
Rules Evaluation Algorithm: Evaluate all		
Conditions	Actions	
1. (Tips:Posture EQUALS HEALTHY (0)) AND (Tips:Role MATCHES_ANY Remote Worker Role Engineer testqa)	[RADIUS] EMPLOYEE_VLAN, [RADIUS] Remote Employee ACL	
2. AND (Date:Day-of-Week NOT_BELONGS_TO Saturday, Sunday) (Tips:Role EQUALS Senior_Mgmt)	[RADIUS] EMPLOYEE_VLAN	
3. AND (Date:Day-of-Week NOT_BELONGS_TO Saturday, Sunday) (Tips:Role EQUALS San Jose HR Local)	HR VLAN	
4. AND (Tips:Posture EQUALS HEALTHY (0)) (Tips:Role EQUALS [Guest])	[RADIUS] WIRELESS_GUEST_NETWORK	
5. AND (Connection:SSID CONTAINS guest) (Tips:Role EQUALS Remote Worker)	RestrictedACL	
AND (Tips:Posture NOT_EQUALS HEALTHY (0))		

Based on the Enforcement Policy configuration, when a user with Role Engineer connects to the network and the posture token assigned is Unknown, which Enforcement Profile will be applied?

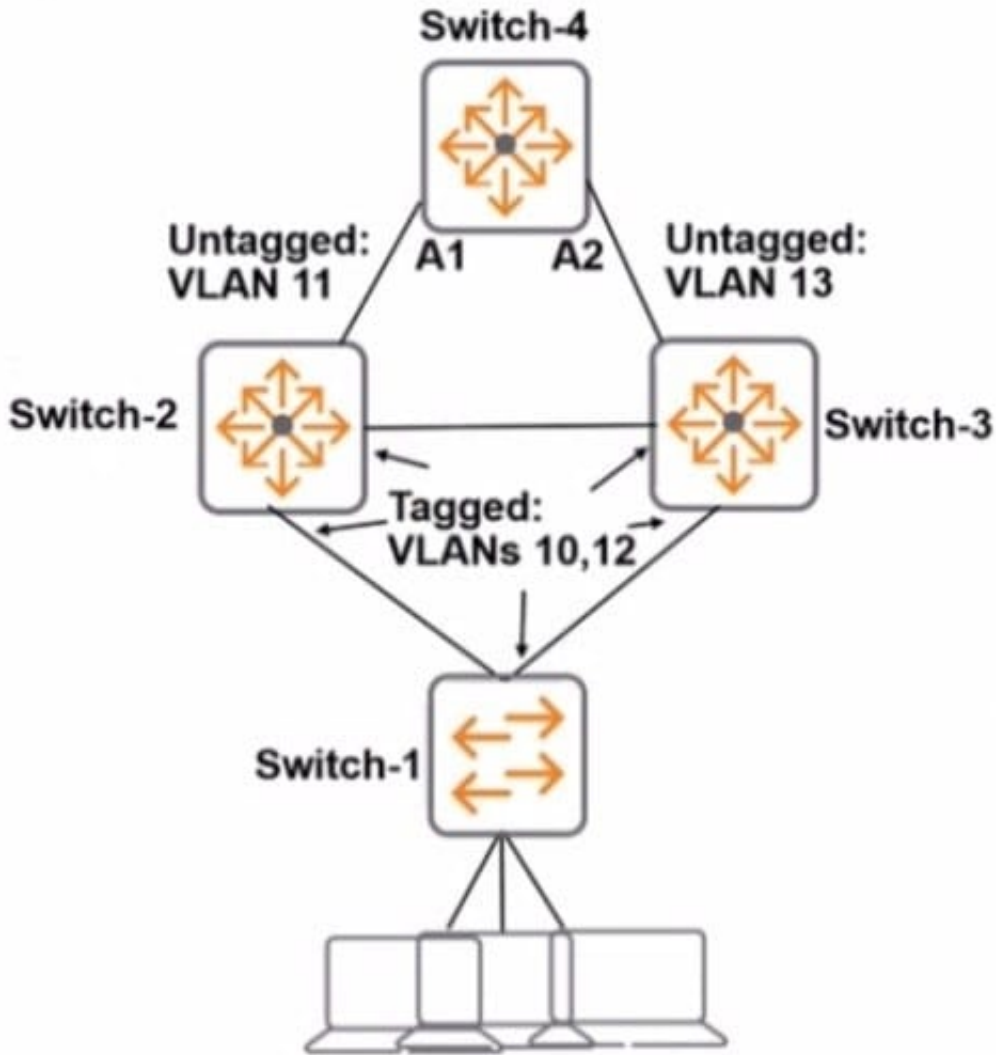
- A. EMPLOYEE\_VLAN
- B. RestrictedACL
- C. Deny Access Profile
- D. HR VLAN
- E. Remote Employee ACL

Correct Answer: C

**QUESTION 7**

Refer to the exhibits.

Exhibit 1



```
Switch-1 (config) # spanning-tree
Switch-1 (config) # spanning-tree mode rapid-pvst
Switch-1 (config) # spanning-tree vlan 10-13 enable

Switch-2 (config) # spanning-tree
Switch-2 (config) # spanning-tree mode rapid-pvst
Switch-2 (config) # spanning-tree vlan 10-13 enable
Switch-2 (config) # spanning-tree vlan 10-11 priority 0
Switch-2 (config) # spanning-tree vlan 12-13 priority 1

Switch-3 (config) # spanning-tree
Switch-3 (config) # spanning-tree mode rapid-pvst
Switch-3 (config) # spanning-tree vlan 10-13 enable
Switch-3 (config) # spanning-tree vlan 10-11 priority 1
Switch-3 (config) # spanning-tree vlan 12-13 priority 0

Switch-4 (config) # spanning-tree
Switch-4 (config) # spanning-tree mode rapid-pvst
Switch-4 (config) # spanning-tree vlan 10-13 enable
```

The network administrator enters the commands shown in Exhibit 2. What is the spanning tree status on A1 and A2?

- A. A1 towards traffic, and A2 blocks traffic.
- B. Both A1 and A2 block traffic.
- C. A1 blocks traffic, and A2 forwards traffic.
- D. Both A1 and A2 forward traffic

Correct Answer: D

### QUESTION 8

An administrator deploys Aruba Mobility Controller 7005s to a company's branch offices. The administrator wants to disable the console port to prevent unauthorized access to the controllers.

Which controller command should the administrator use to implement this policy?

- A. no console enable
- B. no mgmt-user console
- C. mgmt-user console-block
- D. console disable

Correct Answer: C



### QUESTION 9

A university wants to deploy ClearPass with the Guest module. They have two types of users that need to use web login authentication. The first type of users are students whose accounts are in an Active Directory server. The second type of users are friends of students who need to self-register to access the network.

How should the service be setup in the Policy Manager for this Network?

- A. Guest User Repository and Active Directory server both as authentication sources
- B. Active Directory server as the authentication source, and Guest User Repository as the authorization source
- C. Guest User Repository as the authentication source, and Guest User Repository and Active Directory server as authorization sources
- D. Either the Guest User Repository or Active Directory server should be the single authentication source
- E. Guest User Repository as the authentication source and the Active Directory server as the authorization source

Correct Answer: A

---

### QUESTION 10

A company requires AOS-Switches at the campus core. The switches:

Will act as the default gateways for several campus VLANs Must provide redundancy for their services and tolerate the loss of a link or an entire switch Must recover from the failure of one of the switches within a second or less

VRRP and MSTP are proposed to meet these requirements. What is an issue with this proposal?

- A. VRRP provides redundancy against lost links but not a failed switch.
- B. VRRP provides routing redundancy but not default gateway redundancy.
- C. VRRP does not interoperate with MSTP.
- D. VRRP takes longer than a second to fail over.

Correct Answer: D