

# JN0-681<sup>Q&As</sup>

New Data Center, Professional

## Pass Juniper JN0-681 Exam with 100% Guarantee

Free Download Real Questions & Answers **PDF** and **VCE** file from:

<https://www.pass2lead.com/jn0-681.html>

100% Passing Guarantee  
100% Money Back Assurance

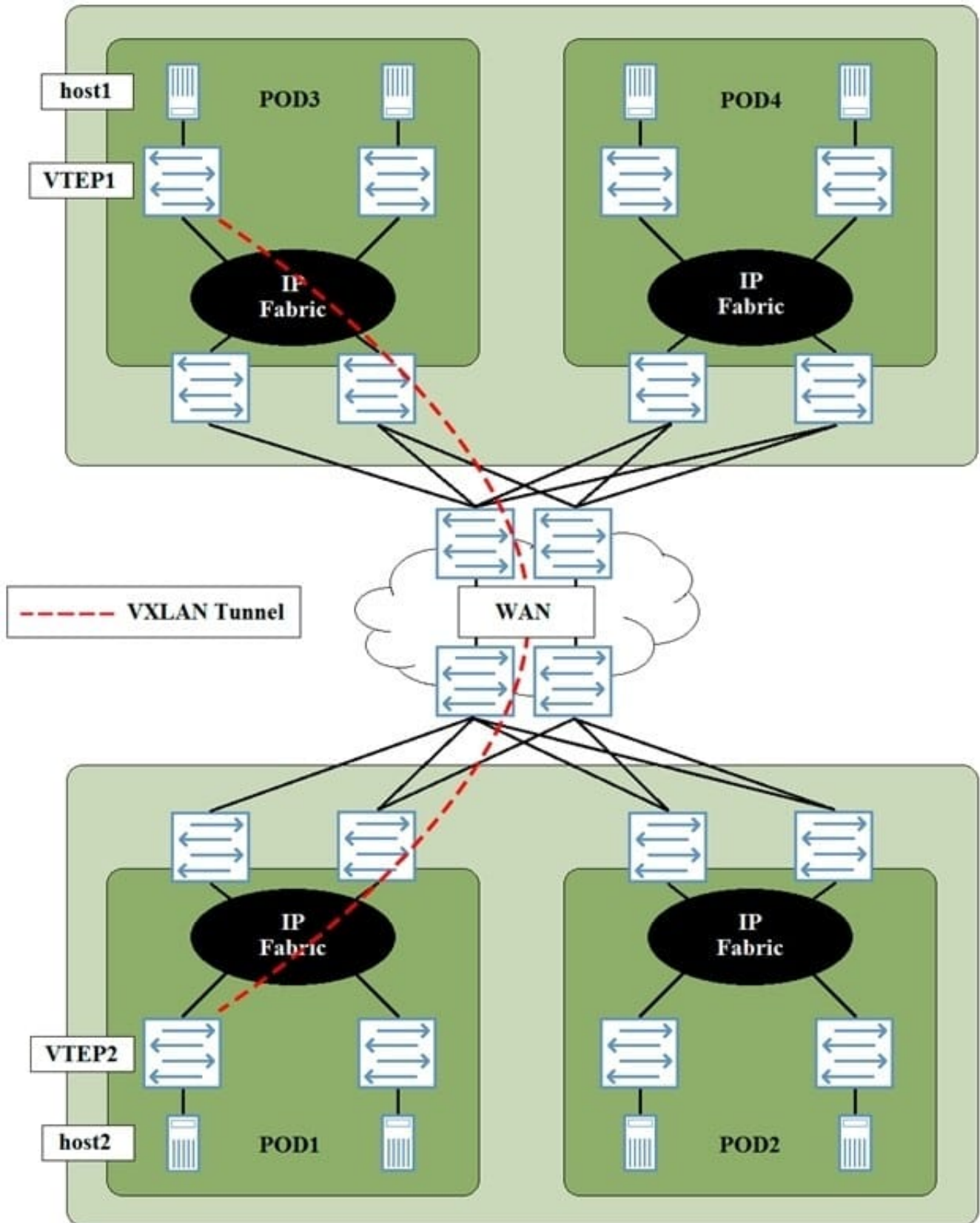
Following Questions and Answers are all new published by Juniper  
Official Exam Center

- ⚙️ **Instant Download** After Purchase
- ⚙️ **100% Money Back** Guarantee
- ⚙️ **365 Days** Free Update
- ⚙️ **800,000+** Satisfied Customers



**QUESTION 1**

Referring to the exhibit, DC1 and DC2 have a DCI across a service provider WAN connection. Host1 in DC1 must have Layer 2 connectivity to host2 in DC2. A VXLAN tunnel must be created between VTEP1 and VTEP2.



In this scenario, which statement is true?

- A. The service provider WAN connection cannot be an MPLS-based WAN connection.

- B. VXLAN Layer 3 gateway must be provisioned at the Super Spine layer.
- C. A route to the loopback address on VTEP2 must be present on VTEP1.
- D. VTEP1 and VTEP2 must peer using IBGP.

Correct Answer: C

---

#### QUESTION 2

You are designing a Layer 3 fabric underlay using EBGp. You will implement an EVPN-signaled VXLAN overlay on the Layer 3 fabric.

In this scenario, what must you do in the underlay to ensure that the VXLAN overlay will be able to function properly?

- A. The underlay should advertise the host-connected interfaces on all leaf devices.
- B. Each device in the underlay should advertise its loopback address.
- C. The underlay should be configured with a separate VRF for each potential tenant.
- D. The underlay should support the PIM protocol.

Correct Answer: B

---

#### QUESTION 3

Which EVPN route type prevents BUM traffic from looping back to a multihomed host?

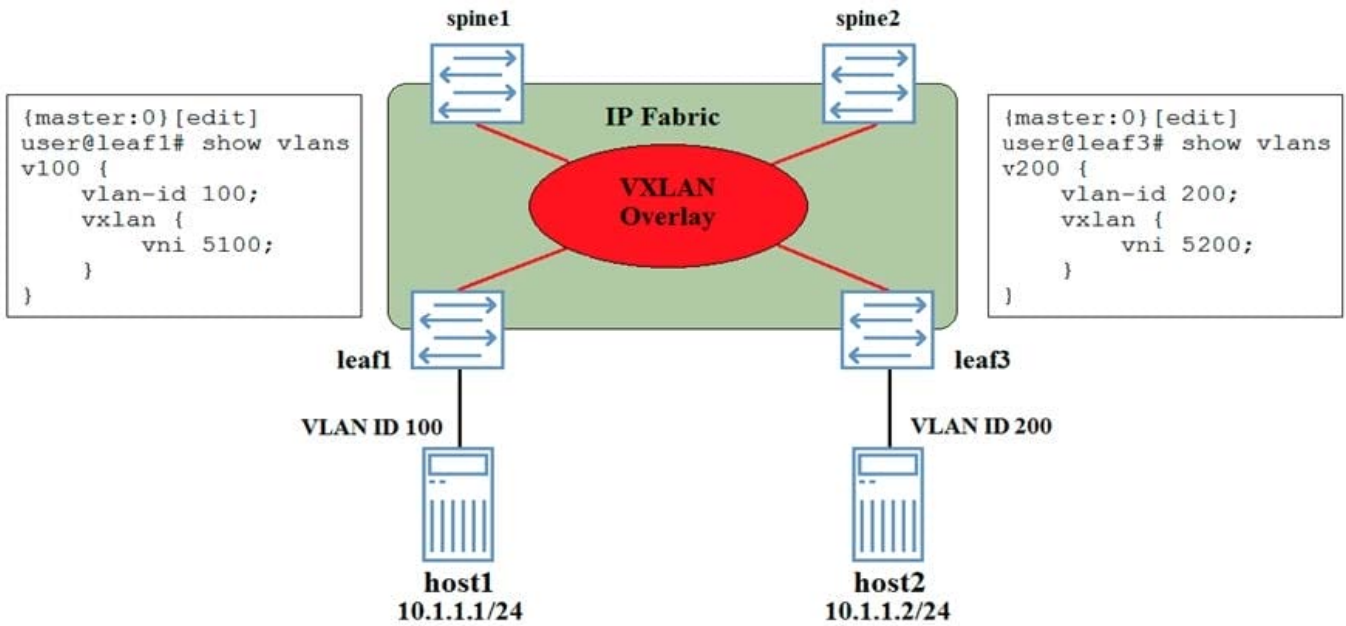
- A. IP prefix route
- B. Ethernet autodiscovery route
- C. Ethernet segment route
- D. inclusive multicast-Ethernet tag route

Correct Answer: B

---

#### QUESTION 4

Devices spine1 and spine2 have been configured as distributed Layer 3 gateways in the VXLAN topology, and devices leaf1 and leaf3 have been configured as Layer 2 gateways. Device host1 must be able to communicate with device host2.



Referring to the exhibit, which two statements are true? (Choose two.)

- A. An IRB interface must be configured on devices leaf1 and leaf2.
- B. Traffic from host1 to host2 will transit the VXLAN tunnel from leaf1 to leaf3.
- C. Traffic from host1 to host2 will transit a VXLAN tunnel to spine1 or spine2, then a VXLAN tunnel from spine1 or spine2 to leaf3.
- D. An IRS interface must be configured on devices spine1 and spine2.

Correct Answer: CD

### QUESTION 5

You are asked to design a deployment plan for a large number of QFX Series switches using ZTP. The ZTP deployment plan must ensure all switches are configured with their designated configuration file.

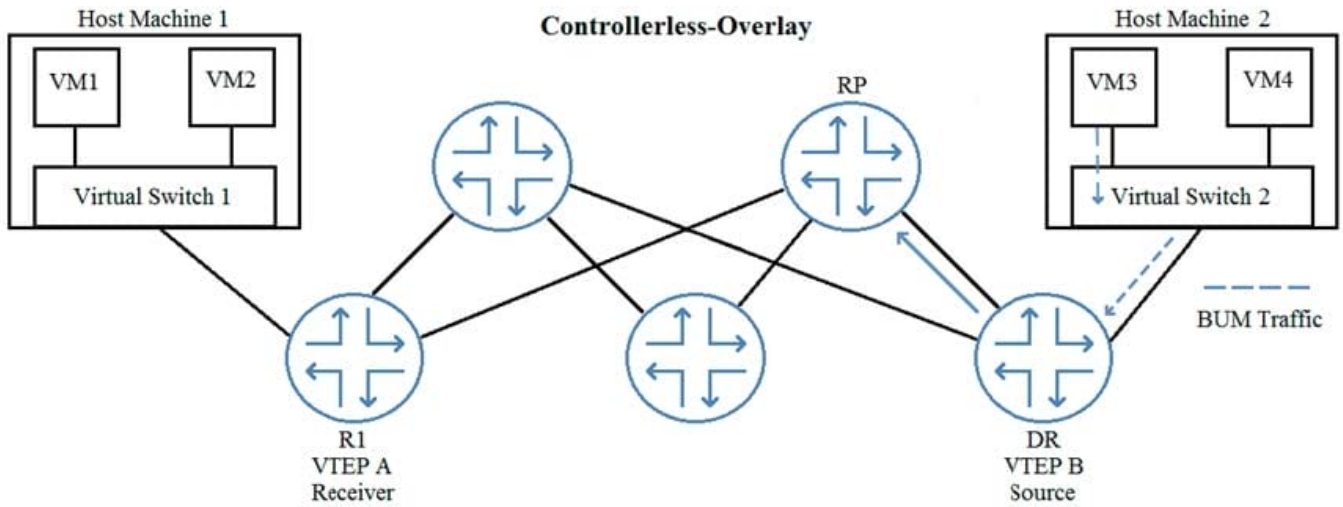
Which DHCP option and suboption combination would be used to accomplish this task?

- A. DHCP option 43 with a suboption of 00
- B. DHCP option 66 with a suboption of 00
- C. DHCP option 66 with a suboption of 01
- D. DHCP option 43 with a suboption of 01

Correct Answer: A

### QUESTION 6

In the exhibit, VM1 is part of the same VXLAN segment as VM3.



Which type of message will VTEP B initially send to the RP so that VM3 can communicate with VM1?

- A. PIM join
- B. PIM register message
- C. IGMP Join (S,G)
- D. IGMP Join (\*,G)

Correct Answer: B

**QUESTION 7**

You are building a new IP fabric data center underlay network and want to ensure predictable load-balancing behavior for traffic traversing the fabric.

What are two approaches you should take to satisfy the requirement in this scenario? (Choose two.)

- A. Ensure that all uplinks are 40GbE.
- B. Ensure that every leaf node has a link to every other leaf node.
- C. Ensure that every leaf node has an uplink to every spine node.
- D. Ensure that all spine devices are the same switch model.

Correct Answer: CD

**QUESTION 8**

You are designing a network for a small data center.

In this scenario, which underlay protocol allows for the simplest implementation?

- A. OSPF
- B. IBGP
- C. EBGp
- D. MPLS

Correct Answer: C

**QUESTION 9**

Referring to the exhibit, what would cause the problem on VCP 0/50?

```
{master:0}
user@gfx1> show virtual-chassis vc-port

fpc0:
-----
-----
Interface      Type      Trunk      Status
  Speed      Neighbor
or
              (mbps)      ID
PIC / Port      Configured  ID Interface
0/50            40000      -1         Down
```

- A. The VCP has been disabled through configuration.
- B. The remote side is not configured as a VCP.
- C. VCP 0/50 is configured as a network port.
- D. The port is missing the interface hardware.

Correct Answer: A

**QUESTION 10**

You are asked to deploy 20 QFX Series devices using ZTP. Each QFX5100 requires a specific FTP server.

In this scenario, which two components must you configure on the DHCP server? (Choose two.)

- A. the IP address of the FTP server
- B. the MAC address of the FTP server
- C. the IP address of each QFX5100
- D. the MAC address of each QFX5100

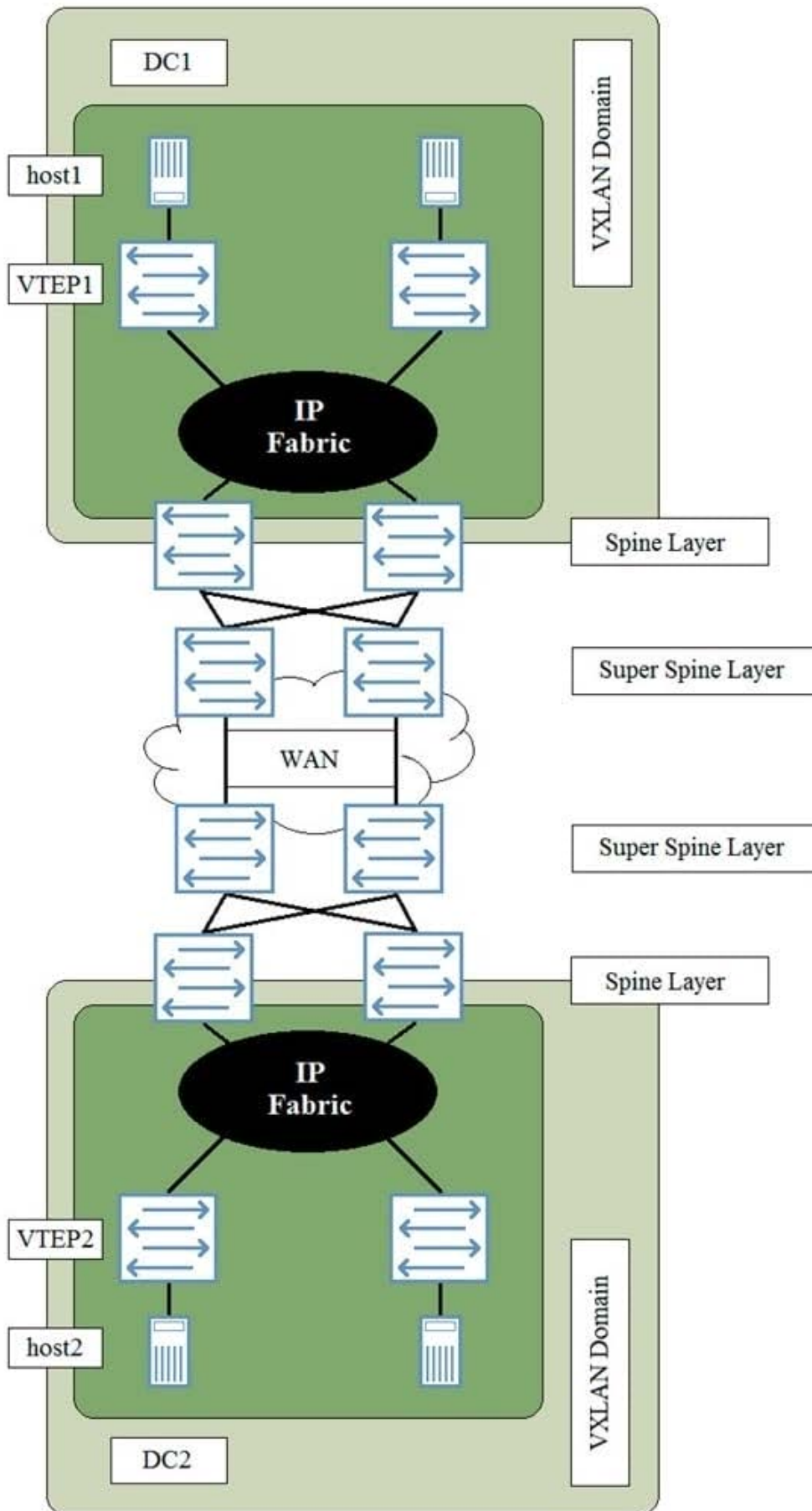
Correct Answer: AD

---

#### **QUESTION 11**

You have deployed two data centers that require a Layer 2 stretch between host1 and host2.





Referring to the exhibit, what does a Layer 2 stretch require?

- A. a VXLAN tunnel originating on the Super Spine Layer in DC1 to the Super Spine Layer in DC2.
- B. a VXLAN tunnel originating on VTEP1 to VTEP2.
- C. a VXLAN tunnel originating on the Spine Layer in DC1 to the Spine Layer in DC2.
- D. a VPLS WAN connection between data centers.

Correct Answer: B

---

### QUESTION 12

Which statement is true about a Data Center Interconnect over an IP network?

- A. Layer 2 data must traverse a point-to-point link.
- B. Layer 2 data must traverse an MPLS LSP.
- C. Layer 2 data must be encapsulated.
- D. Layer 3 data must be encapsulated.

Correct Answer: B

---

### QUESTION 13

You are troubleshooting an L3VPN that is part of an EVPN/MPLS DCI. You notice that the EVPN overlay BGP session toward 10.29.50.4 is unable to establish.

```
VPN.inet.0: 15 destinations, 16 routes (15 active,
0 holddown, 1 hidden)
  10.29.50.4/32 (2 entries, 1 announced)
    Import Accepted
    Route Distinguisher: 65000:12345
    VPN Label: 16
    Nexthop: 192.168.5.5
    MED: 3
    Localpref: 100
    AS path: I
    Communities: target:65000:12345 rte-
type:0.0.0.0:1:0
```

Why is the BGP session failing to establish?

- A. The vrf-table-label value is not configured in the remote PE.
- B. The route-distinguisher value on the local PE is incorrect.
- C. There is no route for 192.168.5.5 in inet.3.
- D. There is no route for 192.168.5.5 in VPN.inet.0.

Correct Answer: A

**QUESTION 14**

You want to configure redundant Layer 3 gateways.

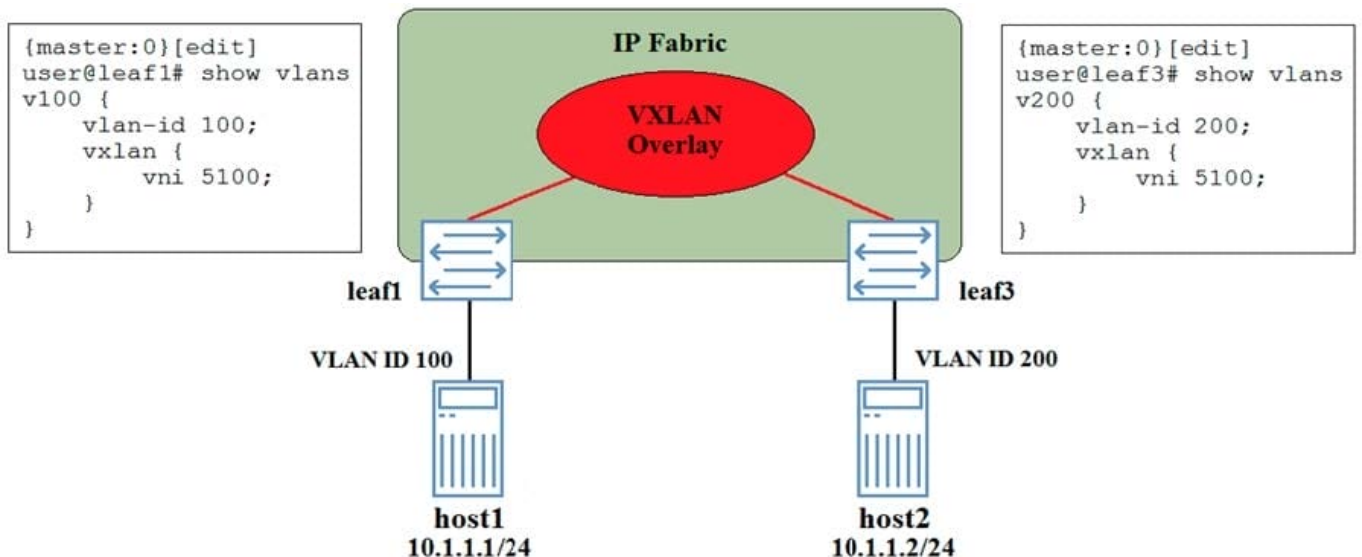
In this scenario, which two Juniper best practices would accomplish this task? (Choose two.)

- A. configuring both IRB interfaces manually with the same MAC address.
- B. allowing Junos to dynamically create the virtual IP address of the IRB interface.
- C. configuring both IRB interfaces manually with the same IP address.
- D. allowing Junos to dynamically create the virtual MAC address of the IRB interface.

Correct Answer: CD

**QUESTION 15**

A VXLAN has been created between devices leaf1 and leaf3.



Referring to the exhibit, which statement is true?

- A. Traffic sent from host1 to host2 will be tagged with VLAN ID 200 when exiting leaf3.

- B. Traffic sent from leaf1 to host2 will be dropped on leaf1.
- C. Traffic sent from host1 to host2 will be tagged with VLAN ID 100 when exiting leaf3.
- D. Traffic sent from leaf1 to host2 will be dropped on leaf3.

Correct Answer: A

[JN0-681 PDF Dumps](#)

[JN0-681 Study Guide](#)

[JN0-681 Exam Questions](#)