

NS0-192^{Q&As}

NetApp Certified Support Engineer

Pass NetApp NS0-192 Exam with 100% Guarantee

Free Download Real Questions & Answers **PDF** and **VCE** file from:

<https://www.pass2lead.com/ns0-192.html>

100% Passing Guarantee
100% Money Back Assurance

Following Questions and Answers are all new published by NetApp
Official Exam Center

- ⚙️ **Instant Download** After Purchase
- ⚙️ **100% Money Back** Guarantee
- ⚙️ **365 Days** Free Update
- ⚙️ **800,000+** Satisfied Customers



QUESTION 1

A customer explains that the Active IQ section of the NetApp Support site indicates that their controller has not called home within the past three months. They are not using a mail host to deliver AutoSupport notifications. When troubleshooting the AutoSupport message, you enter the event log show messagename asup.post* command.

In this scenario, what would you expect to see on the console?

- A. event-management system (EMS) events for the AutoSupport system that are related to SMTP
- B. a history of all error events related to the AutoSupport system
- C. event-management system (EMS) events for the AutoSupport system that are related to HTTP/HTTPS
- D. event-management (EMS) events for the AutoSupport system that are related to any protocol

Correct Answer: A

QUESTION 2

Which two statements are true concerning FlexClone volumes? (Choose two.)

- A. A FlexClone volume can be created in a different aggregate than the parent volume if space is an issue.
- B. A FlexClone volume is created with the same language setting as its parent.
- C. A FlexClone volume is created, any LUNs present in the parent volume are already online and mapped.
- D. A FlexClone volume is a point-in-time, writable copy of the parent FlexVol volume.

Correct Answer: BD

Reference:

<https://library.netapp.com/ecmdocs/ECMP1196986/html/GUID-284A0B23-DE4D-4E97-B333EF4646D2CB1D.html>

QUESTION 3

You have an ONTAP 9.3 cluster and create a new SnapMirror relationship with a SnapMirror type of DP. You initialize the SnapMirror relationship and verify the incremental updates are operating as expected. However, you notice that the SnapMirror type is XDP instead of the specified DP.

In this scenario, which statement is correct?

- A. All new relationships default to XDP.
- B. DP is not supported in ONTAP 9.3
- C. The SnapMirror policy type was set to MirrorAllSnapshots.
- D. The destination cluster is running an older version of ONTAP.

Correct Answer: C

Reference: <https://docs.netapp.com/ontap-9/index.jsp?topic=%2Fcom.netapp.doc.pow-dap%2FGUID9FF688E3-9A37-49A4-8239-EB55409FA2D0.html>

QUESTION 4

A customer has a company-wide power outage scheduled and needs to gracefully power off a 2-node cluster.

In this scenario, which of two steps should be performed? (Choose two.)

- A. Use the `halt -node * -skip-lif-migration-before-shutdown true -inhibit-takeover true` command.
- B. Invoke an AutoSupport message to indicate a planned maintenance time.
- C. Use OnCommand System Manager to halt the controllers.
- D. Use the `halt -node *` command.

Correct Answer: AD

Reference: https://library.netapp.com/ecm/ecm_download_file/ECMLP2492713

QUESTION 5

Using QoS statistics for a group of volumes on one node, you notice that most of the latency comes from the data layer.

In this scenario, which statement is correct?

- A. There is too much indirect traffic from other nodes.
- B. QoS processing is increasing CPU usage.
- C. The CPU on the node is overused.
- D. High disk use is increasing CPU usage.

Correct Answer: D

QUESTION 6

A manager wants a volume to have a guaranteed 300 MB/s of read performance. You explain that you cannot do this on FAS storage running ONTAP 9.3 backed by 10,000 RPM disks.

What is the reason for this response?

- A. Throughput floors apply to only iSCSI access.
- B. Throughput floors can only guarantee up to 125 MB/s.
- C. Throughput floors require a license.

D. Throughput floors require AFF.

Correct Answer: D

QUESTION 7

Click the Exhibit button.

```
cluster::> storage failover show

Node           Partner           Takeover State Description
-----
cluster-01    cluster-02        true      Connected to cluster-02
cluster-02    cluster-01        true      Connected to cluster-01, Giveback of one or
                                         more SFO aggregates failed

cluster::> storage failover show-giveback

Node           Partner           Giveback Status
-----
cluster-01
                                         No aggregates to give back

cluster-02
CFO            Done
Aggregates    Failed: Operation was vetoed by lock_manager. Check
aggr1         the event log

cluster::> event log show
Wed Apr 30 14:48:20 CST [cluster-02: cf_giveback:
lmgr.gb.nonCA.locks.exist:error]: Could not complete giveback because of non-
CA locks on volume media@vserver:6c0028db-8196-11e3-a4dd-123478563421.
Wed Apr 30 14:48:20 CST [cluster-02: cf_giveback:
sfo.serdhome.subsystemAbort:error]: The giveback operation of 'aggr1' was
aborted by 'lock_manager'.
```

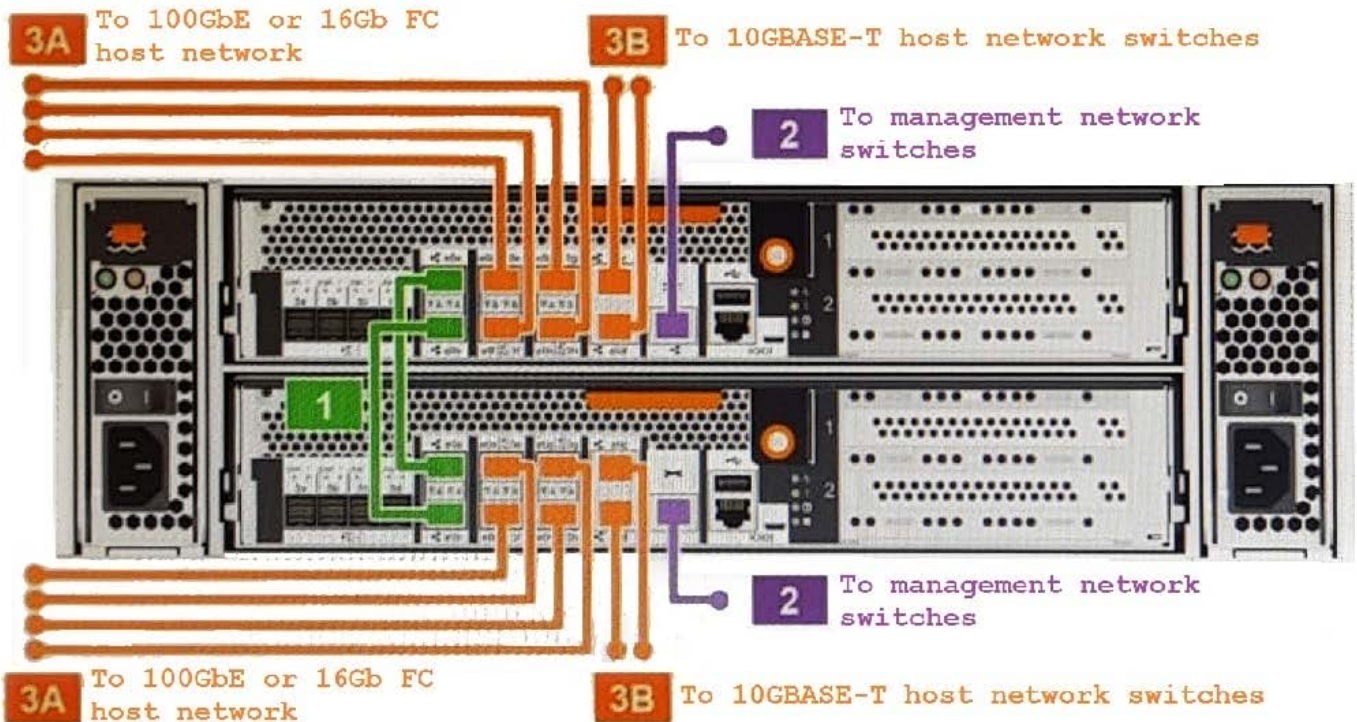
You are attempting a storage giveback, but the process does not finish successfully. Referring to the exhibit, what is the problem?

- A. An aggregate has failed.
- B. There are active CIFS or NFSv4 connections.
- C. Node cluster-02 was not ready for giveback.
- D. The giveback failed on the node root aggregate.

Correct Answer: D

QUESTION 8

Click the Exhibit button.



You are troubleshooting HA interconnect link connection errors.

Referring to the exhibit, which physical connections should you examine?

- A. 1
- B. 3B
- C. 3A
- D. 2

Correct Answer: C

QUESTION 9

A customer reports that a Linux system is unable to access a required NFS export on an ONTAP SVM named "svm01-02". This is an important server in their NIS environment and users are unable to log in. Referring to the logs, they see several notifications of the message shown below.

"exports.netgroup.dnsNoPtrRec: IP address "192.168.1.13" does not have a reverse mapping for its corresponding hostname in the configured name servers when evaluating the export-policy rules for netgroup "linux_1" on Vserver "svm01-02"."

In this scenario, what is causing the problem?

- A. The export policy has the wrong netgroups defined.

- B. The DNS server does not have the relevant mapping from the IP address to the hostname.
- C. The ns-switch sources are set to files,dns instead of hosts,dns.
- D. The netgroup definition in NIS is missing the 192.168.1.13 IP address.

Correct Answer: C

QUESTION 10

You want to replicate all volumes of an SVM, including the SVM's configuration data, to another cluster on an hourly schedule.

Which action should you perform to accomplish this task?

- A. Configure SVM disaster recovery between the two SVMs.
- B. Configure SyncMirror between the two clusters.
- C. Configure SnapMirror replication for the volumes with a relationship type of DP.
- D. Configure SnapMirror replication for the volumes with a relationship type of XDP.

Correct Answer: A

Reference: https://library.netapp.com/ecm/ecm_get_file/ECMLP2496254

[Latest NS0-192 Dumps](#)

[NS0-192 PDF Dumps](#)

[NS0-192 Study Guide](#)